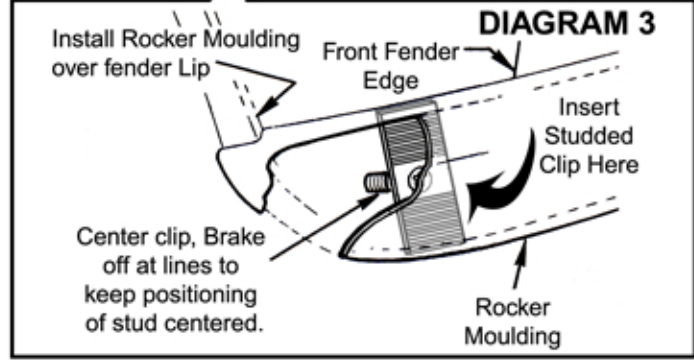
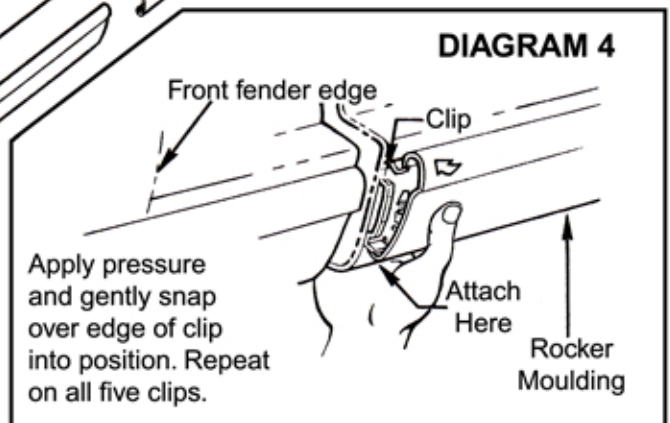
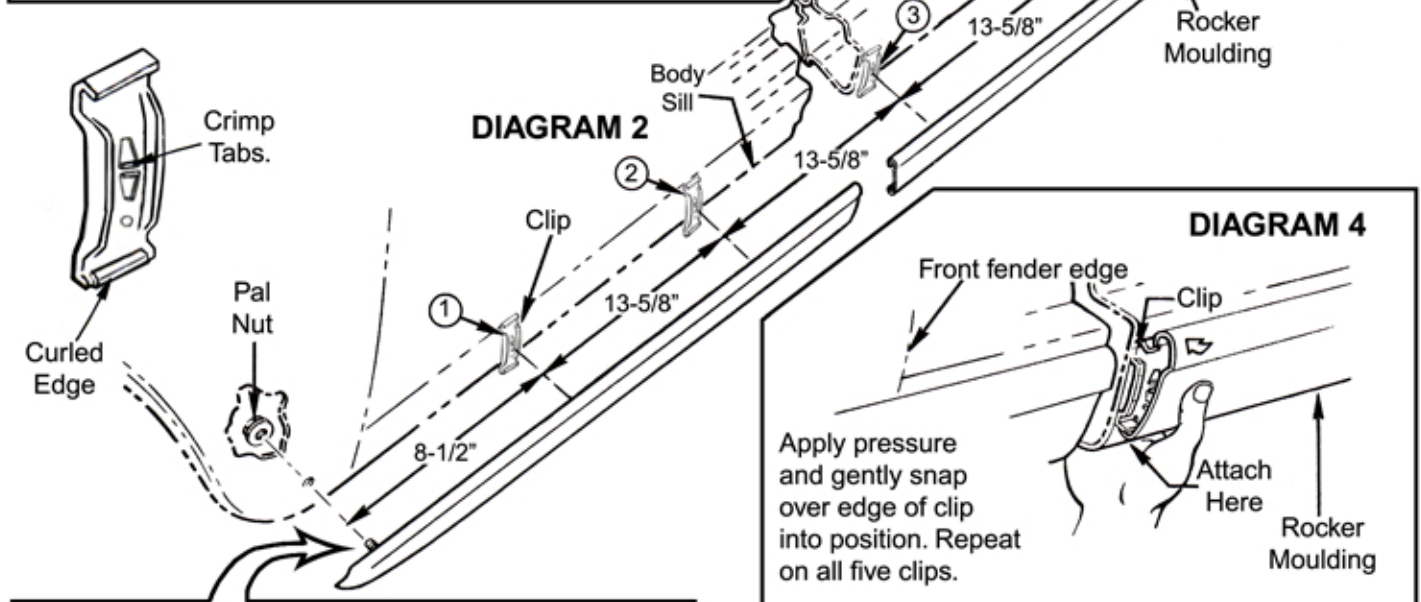
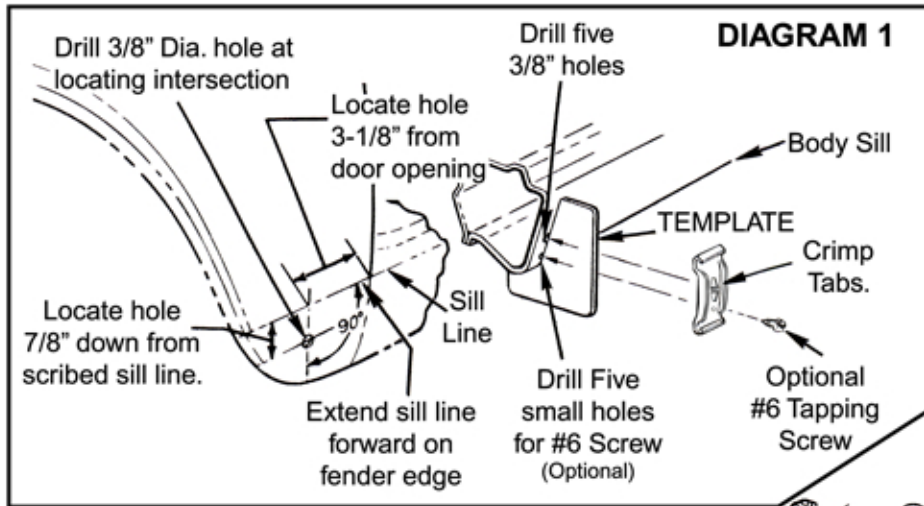




Rocker Panel Moulding and Clips

INSTRUCTIONS



1. Locate and drill hole in the fender. See Diagram 1.
2. Mark locations of 3/8" hole in in body sill from door opening as shown in Diagram 1.
3. Place the moulding clip with stud inside Rocker Moulding. Will need to brake off at ends to center clip and align with hole. See Diagram 3.
4. After Locating the first of the five other holes a Template can be made to help mark other holes.

5. Locate the five other hole and drill only the 3/8" holes at the time.
6. Place the tabbed clip into second hole with curled ends facing you, see Diagram 2. Insert tabs of the clips inside holes. Using pliers crimp the tabs on face of clip to the car body. Optional drill the five smaller holes, and install #6 tapping screws (not included).
7. Place the front edge of the moulding with clip slide stud (do not install nut) through drilled hole being sure to locate the moulding over the fender lip as shown Diagram 3.
8. Hook rocker moulding on bottom edge or clips and apply pressure gently at top edge of moulding and snap into place. Shown in Diagram 4.
9. Tighten forward-most retainer clip in place with pal nut provided.
10. Repeat on other side of the car.