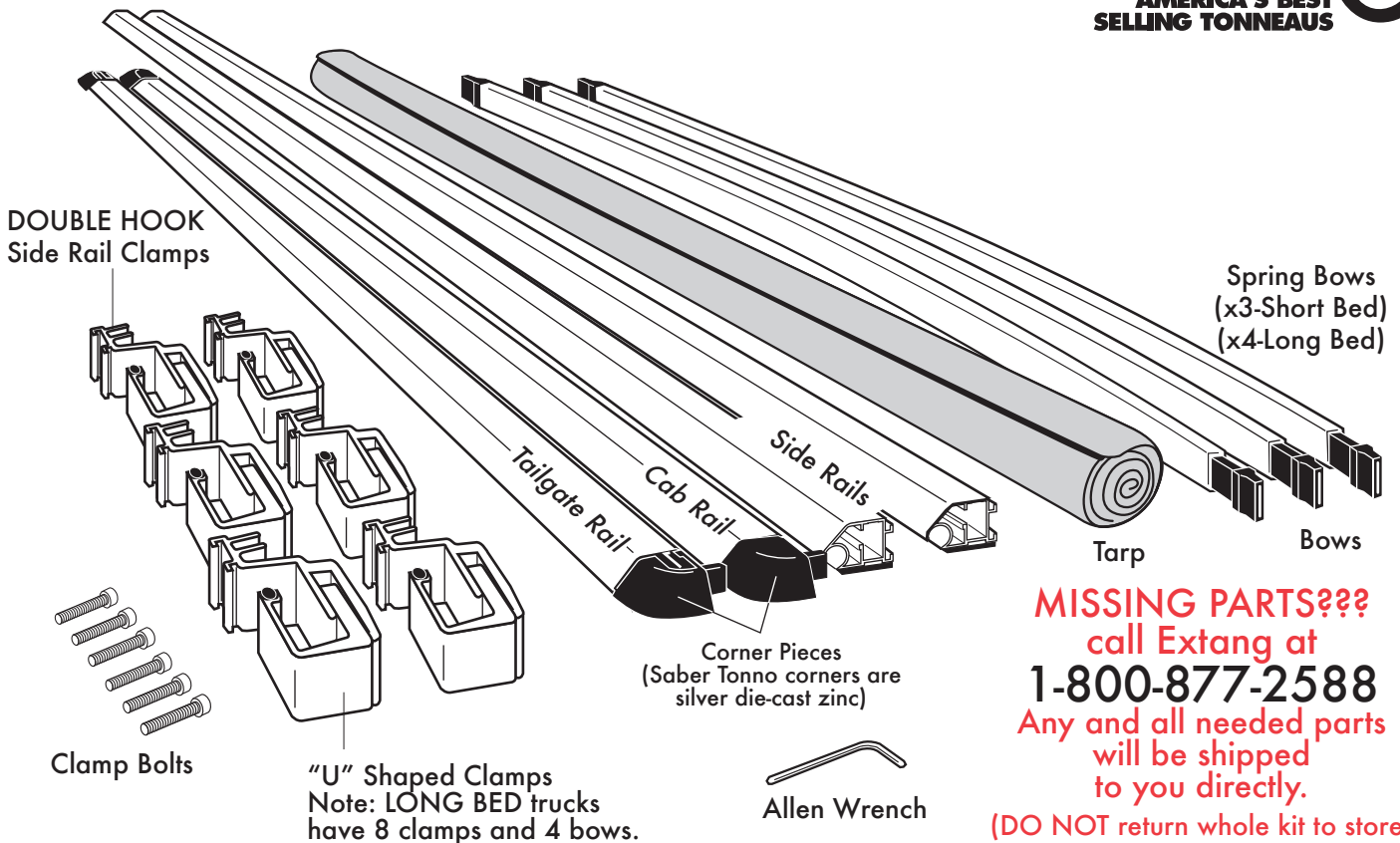


# INSTALLATION SHEET

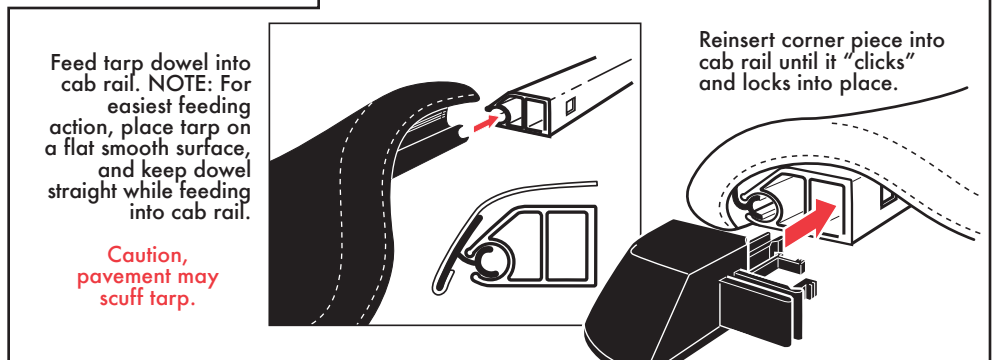
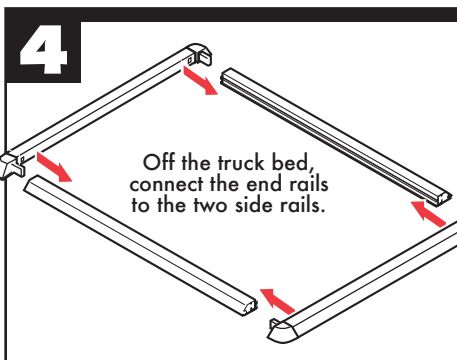
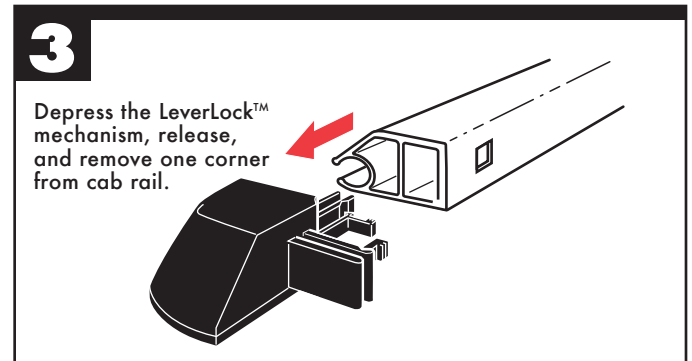
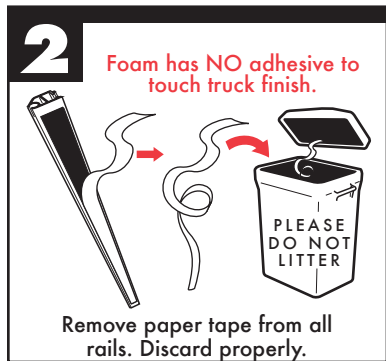
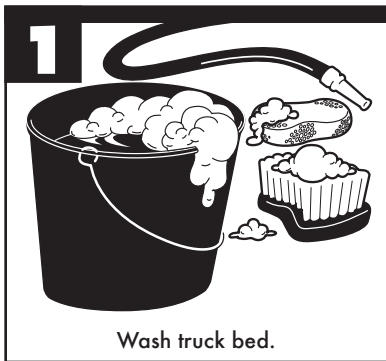
# TUFF TONNO™

**extang**  
AMERICA'S BEST  
SELLING TONNEAUS



**MISSING PARTS???**  
call Extang at  
**1-800-877-2588**  
Any and all needed parts  
will be shipped  
to you directly.  
**(DO NOT return whole kit to store)**

**PARTS INCLUDED IN YOUR KIT.** You may want to lay them out in this manner for accessibility.



Extang Corporation  
5400 S. State Rd.  
Ann Arbor MI 48108  
734-677-0444, Fax: 734-677-8409

Register your warranty at:

**extang.com**

Item No. 0018-0114 RH Printed in U.S.A.

**For an OVER-THE-RAIL Bedliner**

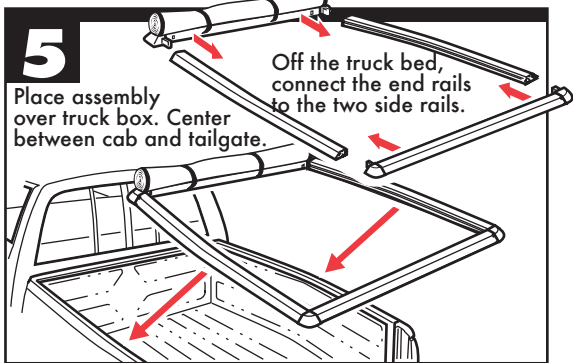


DIAGRAM **A**

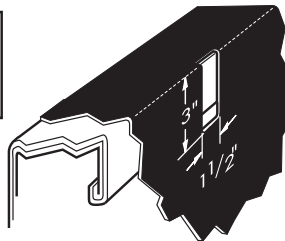
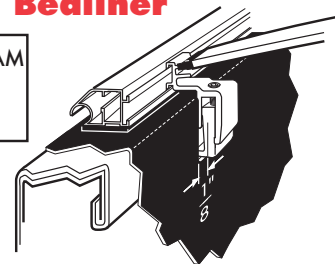
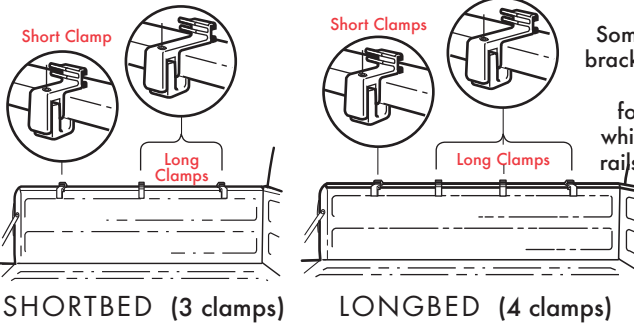
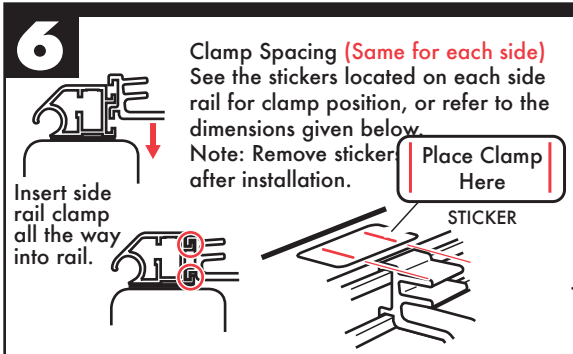


DIAGRAM **B**



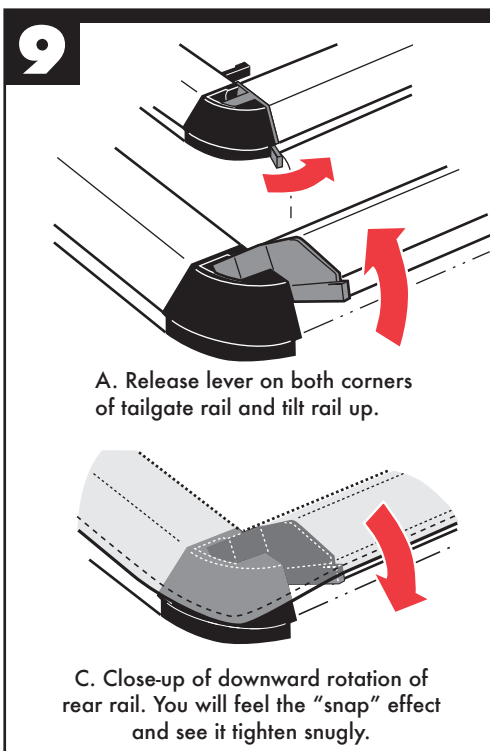
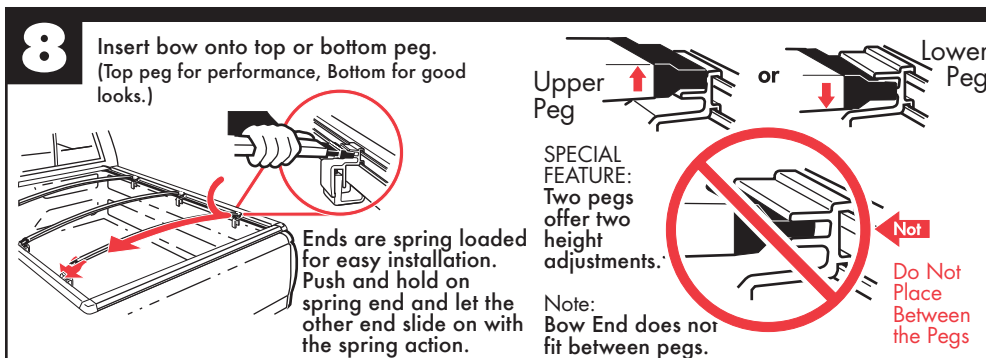
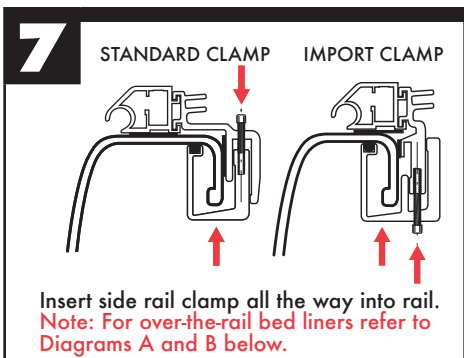
For each clamp mark on your bedliner a 1-1/2" x 3" hole as shown above. Remove clamp. Cut holes in bedliner. Reinsert side rail clamp. Return to step 5.

Side rail clamped to bed with bow attached.

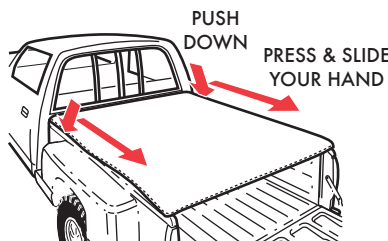
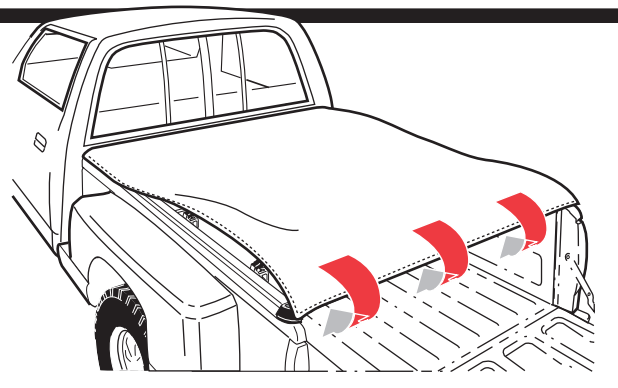


**Longer Clamps**  
Some trucks use two lengths of bracket to fit sculpted sidewalls. Longer clamps go in the forwardmost (Cab) positions while the shorter pair hold the rails at the rear (tailgate) end.

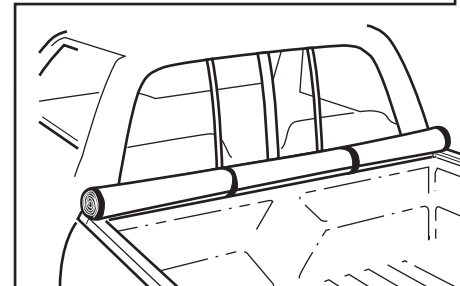
**FOR INSTALLATION IN THE FOLLOWING TRUCK MODELS:**  
Ford HD Long-Bed  
Ford HD Short-Bed



B. Attach tarp at front by pressing down on edge of tarp with the palms of your hands (about only 12 inches on each side). Then hook tarp to the tails rail's groove and click down to tighten tarp. See close-up.



D. Finish attaching tarp along each side by pushing down and sliding your hand towards each corner. You can feel the "grip" action.



**EASY USE OF TRUCK BED**  
Tarp may be rolled up and secured with Velcro® for bulk hauling