



VHX-70C-CVL

Dakota Digital VHX Instrument Installation
For 1970-'72 Chevy Chevelle & El Camino (SS-Style Dash)

Your new VHX-70C-CVL kit includes:

VHX Displays



Headlight
Switch Bracket



Universal Sender
Pack

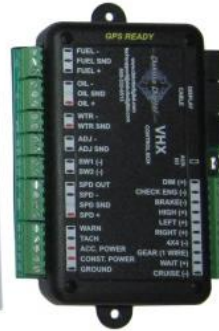
Installation Manuals



10x Screws, 5/8" Length



Control Box



Push button Switch

Switch Assembly

2x CAT5 Cables



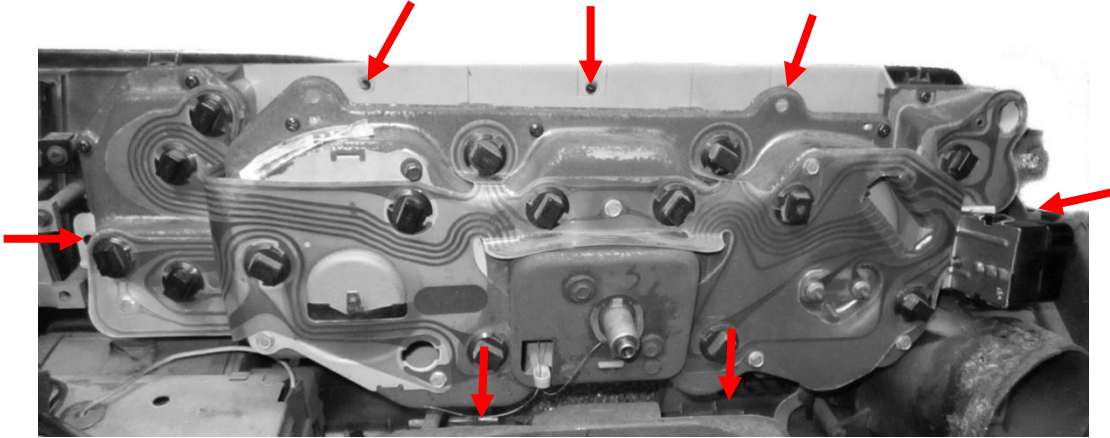
4x Indicator Harnesses
1x Clock Harness



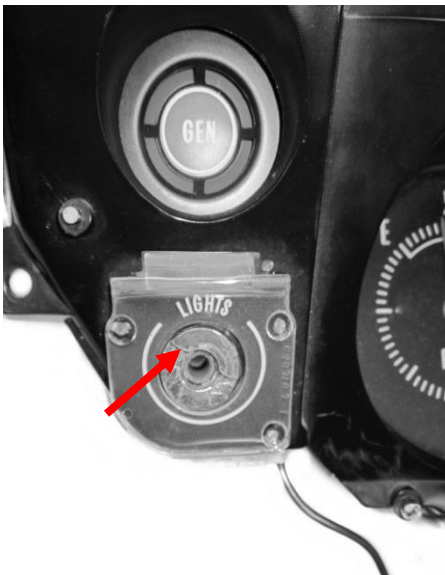
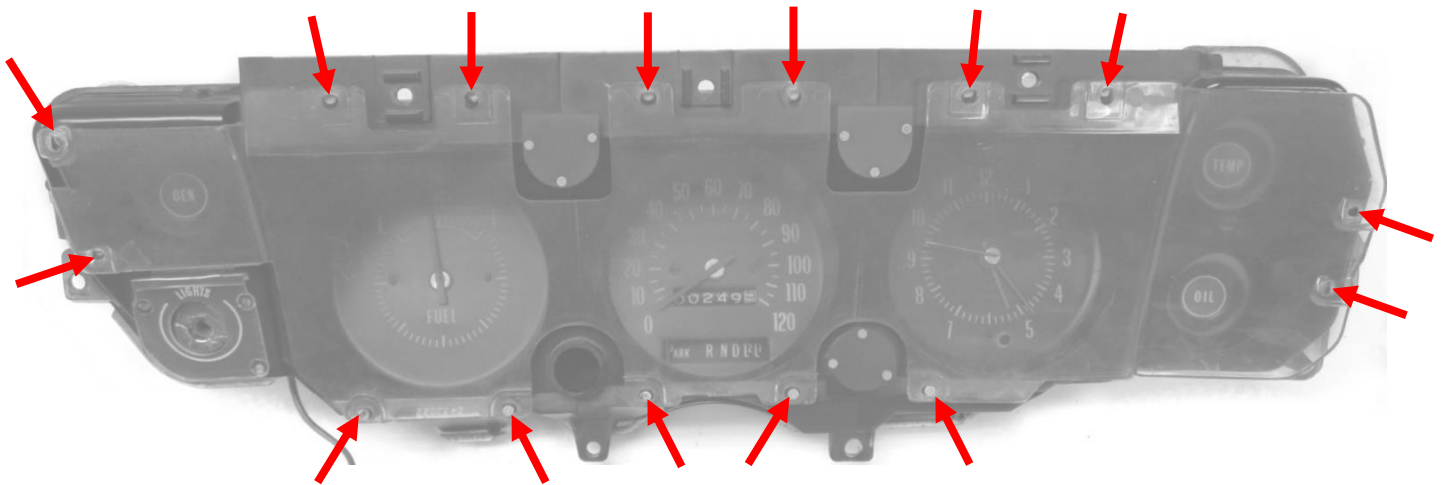
Installation

1. Remove the stock gauge housing from the dash.
 - a. Remove the four screws for the lower steering column cover and remove the two nuts to drop the steering column to gain access behind the dash.
 - b. Remove the dash pad to have access from the top. The entire plastic dash is riveted to the metal frame behind the dash; by removing the (6) 7/16" hex bolts you can separate the dash from the car. The locations of these bolts are: (2) on far left driver side (upper and lower), (1) by steering column support, (1) behind left side of glove box, and (2) on far right passenger side. Also remove the front speaker, emergency brake release handle, and the headlight knob (there is a push button to release it on the opposing side of the harness).
 - c. You can now remove the stock cluster by disconnecting the left and right indicator harnesses, remove the speed cable and the fuel gauge harness. If equipped with a clock, this must be disconnected as well.

- d. The stock gauge cluster is mounted to the dash in seven locations as shown below. Remove these screws.

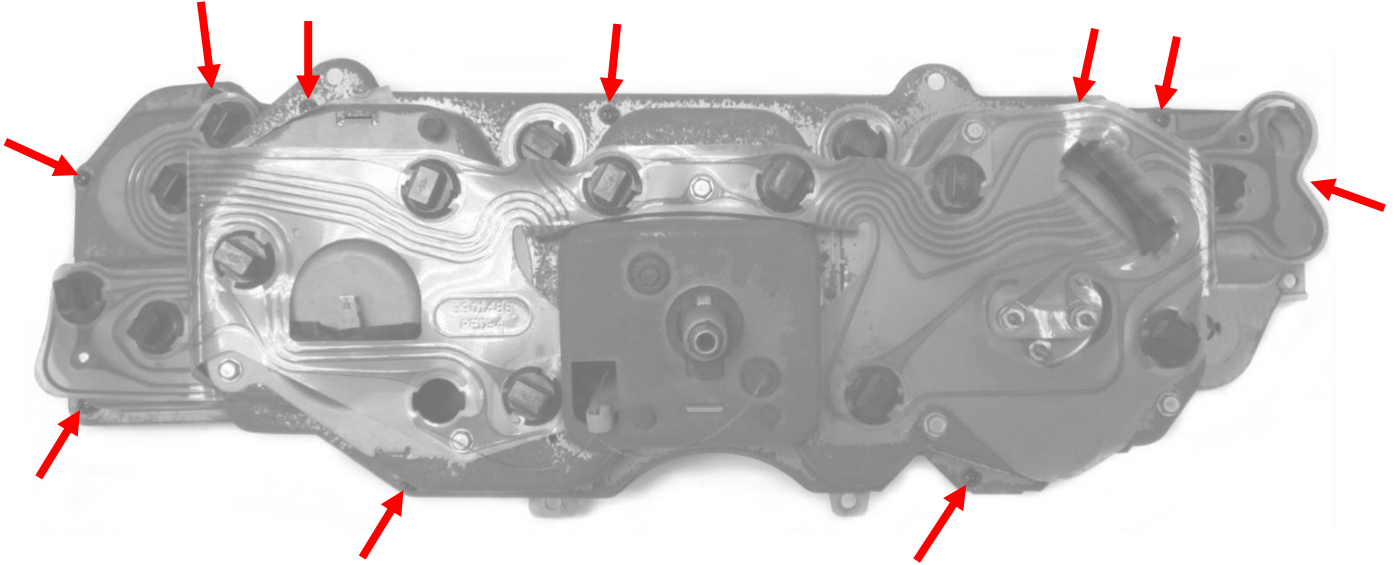


2. With a side cutter, cut the plastic tabs off to remove the factory lens as it won't be reused.

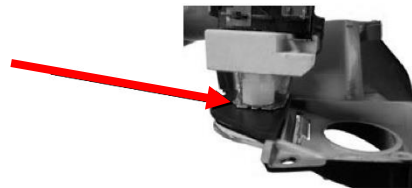
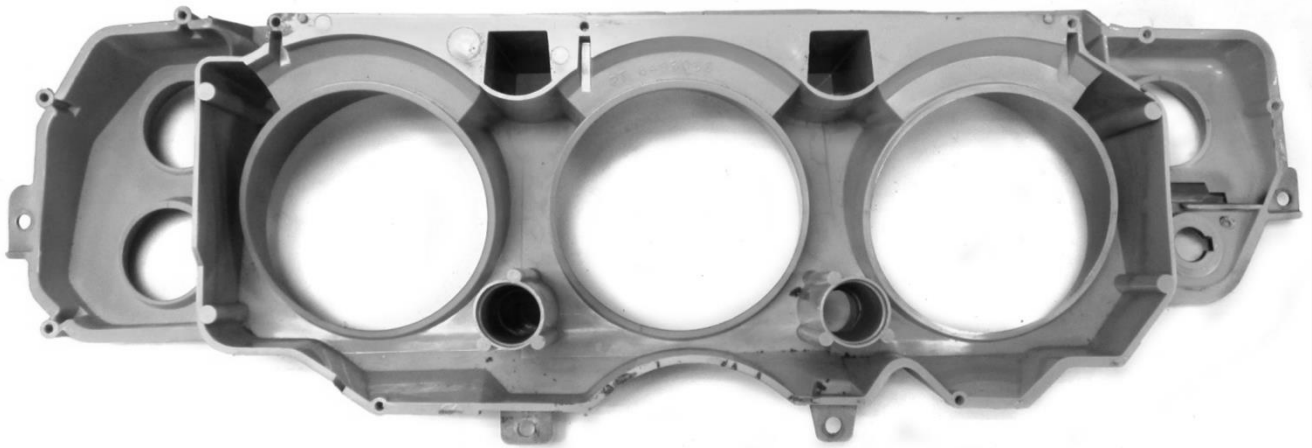


3. Using a large flat-head screwdriver or a quarter, remove the screw that secures the headlight switch to the bezel.

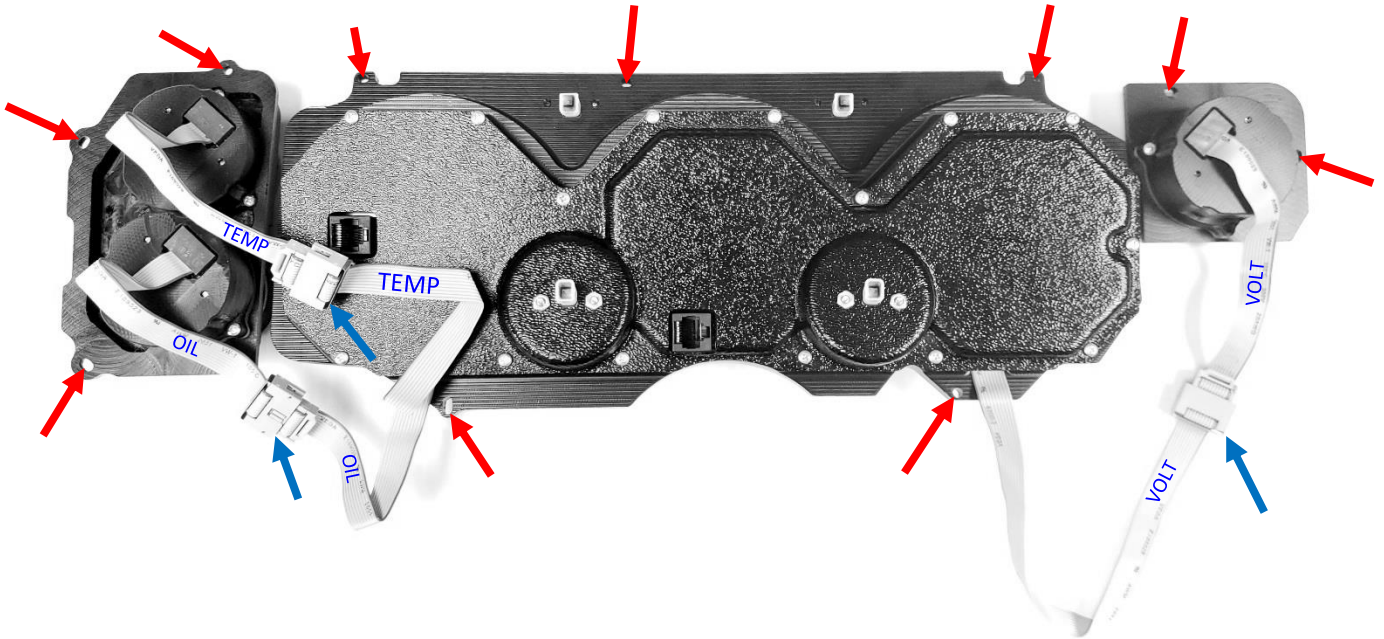
4. Remove the 10 screws holding the factory gauges to the bezel.



5. With the factory gauges and lenses removed, you will be left with a bare bezel, as shown below. Fit the ABS plastic headlight bracket over the back of the headlight switch opening and re-install the headlight switch.

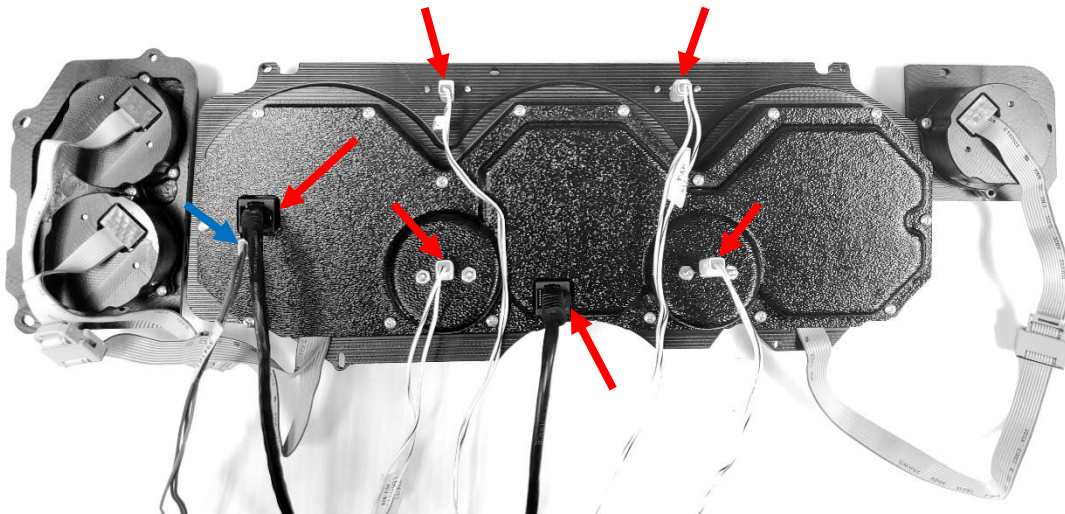


6. Install the Dakota Digital gauge cluster using the 10 included 5/8" screws. All of the stock screw holes will be used. Connect the labeled ribbon cables for the satellite gauges to their respective ends (three blue arrows, below).



7. Connect the 3-pin wire harness into the clock (blue arrow, below) and refer to the included VLK 650360 manual for wiring instructions, also connect CAT5 cables to the two ports and carefully route the other ends to the control box mounting location.

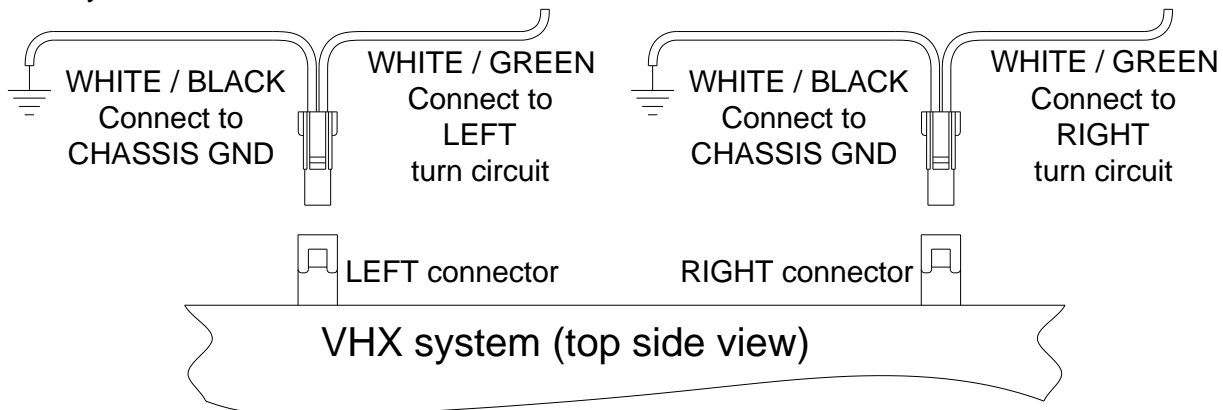
- 7a. This cluster has the option to use the stock location for turn signals, high beam, and brake indicators. These indicators are also located in the new face plate. If preferred to use stock locations, connect the four 2-pin wire harnesses into the respective turn signal, high beam, and brake connectors and refer to Step 8 for wiring these indicators. If using the indicators on the new face plate, do not plug in the harnesses and skip to Step 9.



8. Wiring for optional stock location indicators:

TWO INDIVIDUAL TURN SIGNAL BOARDS:

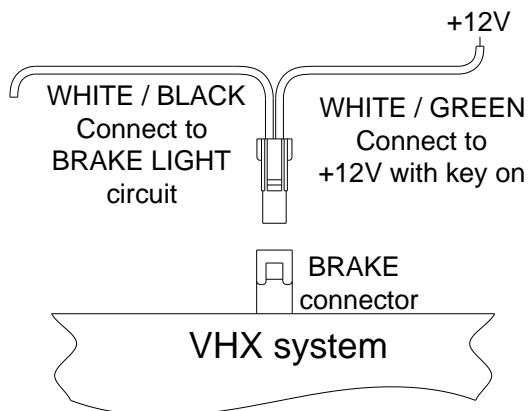
To optionally use the stock turn signal arrows, do not wire the turn signals to the VHX control box. Instead, use the two (2) provided two-wire harnesses. The harnesses plug directly into connectors on the back side of your new VHX system. Connect the wires from these harnesses to your turn signal circuits and ground as shown below. Doing this will light a green LED, located in the original locations of your dash panel, when turn signals are active. Make sure to check left and right to verify they were wired correctly.



STOCK LOCATION BRAKE SIGNAL BOARD:

This system comes with the option to use one of two locations for your brake indicator: an indicator located in the faceplate of your new VHX display, and the stock indicator location in your vehicle's instrument bezel. To use the new faceplate location, follow the wiring instructions for the brake indicator circuit found in the main VHX manual.

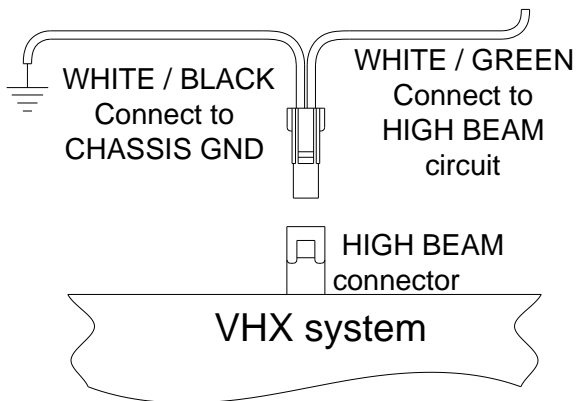
To optionally use the stock location, do not wire the brake indicator circuit to the VHX control box. Instead, use the provided two-wire harness. The harness plugs directly into a connector on the back side of your new VHX system. Connect the wires from this harness to your brake circuit and keyed power as shown below. This connection will light a red LED, located in the original location of your dash panel, when the brake circuit is active.



STOCK LOCATION HIGH BEAM SIGNAL BOARD:

This system comes with the option to use one of two locations for your high beam indicator: an indicator located in the faceplate of your new VHX display, and the stock indicator location in your vehicle's instrument bezel. To use the new faceplate location, follow the wiring instructions for the high beam circuit found in the main VHX manual.

To optionally use the stock location, do not wire the high beam circuit to the VHX control box. Instead, use the provided two-wire harness. The harness plugs directly into a connector on the back side of your new VHX system. Connect the wires from this harness to your high beam circuit and ground as shown below. This connection will light a blue LED, located in the original location of your dash panel, when the high beam circuit is active.



9. Re-install the cluster into the car and reassemble the dash in reverse order of Step 1 and refer to the main manual for wiring instructions to complete the VHX installation.



⚠️WARNING: This product can expose you to chemicals including lead, which is known to the State of California to cause cancer and birth defects or other reproductive harm. For more information go to www.P65Warnings.ca.gov



4510 W. 61st St. North
Sioux Falls, SD 57107
www.dakotadigital.com
dakotasupport@dakotadigital.com

Phone (605) 332-6513
Fax (605) 339-4106

© Copyright 2020 - Dakota Digital