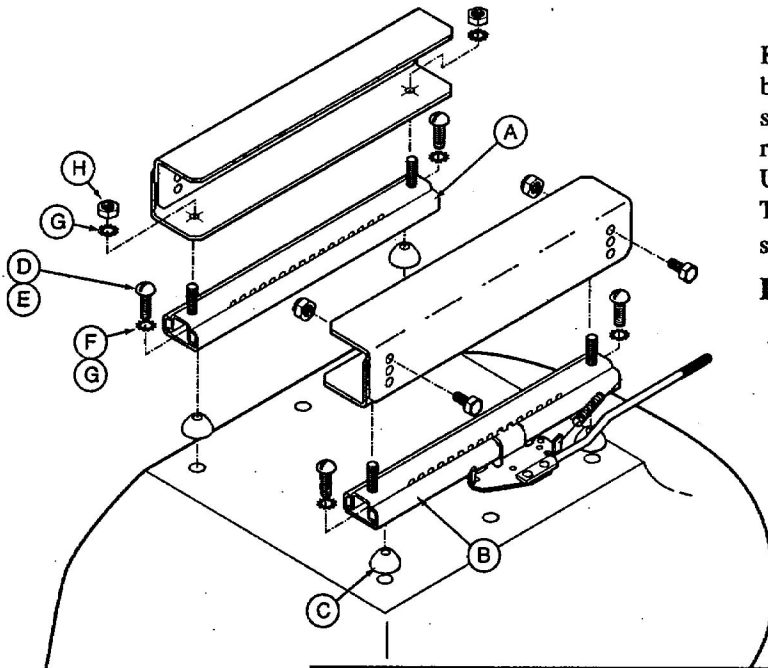




Summit Seat Slider Kit

SUM-G1152 Single Lock Slider Kit

SUM-G1153 Double Lock Slider Kit



Thank you for purchasing this Summit Seat Slider Kit. It will allow you to adjust your seat forward and backward, and has a locking mechanism to hold the seat securely in place. It can be mounted to the floor, but we recommend a set of Summit Seat Brackets (see Further Upgrades) for a higher, more comfortable installation. This kit is compatible with most types of plastic racing seats, including Summit seats.

Kit Contents

- A Slider without handle
- B Slider with handle
- C Four cone washers
- D Four 5/16" bolts
- E Four 3/8" bolts
- F Four 3/8" star washers
- G Eight 5/16" star washers
- H Eight 5/16" nuts
- I Cross wire (SUM-G1153 only)

Instructions

1. Turn the seat upside down and determine which bolts will fit into the threaded inserts in the bottom. We have included both 5/16" and 3/8" bolts.
2. Connect the cross wire, if included, between the two sliders. Assemble the sliders to the seat, as shown in the diagram. The slider with the handle should be on your left when you sit in the seat. Make sure the large ends of the cone washers go against the seat. If the spacing of the seat's threaded inserts does not match the spacing of the holes provided on the sliders, you may have to elongate the mounting slot in the slider with a grinder or file.
3. With the sliders securely mounted on the seat, measure the spacing of the studs on the bottom of the sliders and drill four 11/32" holes either in the seat brackets or the floor of the vehicle (you may wish to place the seat in the vehicle and mark the desired stud locations). Secure the sliders to the brackets or floor with a 5/16" star washer and two 5/16" nuts on each stud.
4. If you are using seat brackets, follow the instructions included with them to complete installation into the vehicle.
5. Once the seat is properly mounted, test the sliders. The seat should move freely without binding and lock in place when the handle is released. Periodic oiling is recommended to keep the mechanism moving freely and to prevent corrosion.

Further Upgrades

Summit Racing Equipment offers the following parts to compliment your seat sliders.

Summit Seat Brackets

Mount your seat at a comfortable height off the floor of the vehicle. Ideal for circle track or drag racing seats.

- SUM-G1150 Aluminum, predrilled, pair
- SUM-G1151 Steel, predrilled, pair

Questions? Call our Tech Line 1-330-630-0240

Limited One-Year Warranty

This Limited One-Year Warranty is given to the original purchaser (the "Buyer") of this new Summit or Summit Performance Branded Product. Summit Racing Equipment warrants that the product will be free from defects in workmanship and materials under normal use and service for one year from the date of purchase.

Your responsibilities:

Keep a sales receipt, canceled check, or payment record to verify your purchase date. Operate and maintain the product in accordance with the specifications provided to you with the product. Arrange for or pay items and costs that are not covered by this Limited Warranty.

What is not covered:

1. Damages caused by shipping, product misuse, misapplication, improper installation or maintenance, or damages resulting from accidents, contact with on-road or off-road hazards, or racing engine use.
2. Labor costs to remove and install the products or component parts.
3. The costs of shipping the product to and from Summit Racing Equipment.

Claims Procedure:

The duration of this warranty is limited to claims made in writing to Summit Racing Equipment within one year after the Purchase Date. The Buyer should call the telephone number

below to report a possible warranty claim. The Buyer must also allow Summit Racing Equipment to inspect the product, and the Buyer must reasonably cooperate with Summit Racing Equipment with respect to verifying the warranty claim of the Buyer. In the event that a warranted defect is discovered, Summit Racing Equipment will repair or replace the product, or return the purchase price to the Buyer, at the option of Summit Racing Equipment.

All shipping costs are paid by the Buyer. Merchandise returned to Summit Racing Equipment without prior authorization will not be accepted.

This warranty extends only to the Buyer and is not transferable.

Implied warranties applicable to this transaction extend only to one year. Some states do not allow limitations on how long an implied warranty lasts, so the above limitation may not apply to you.

Summit Racing Equipment shall not be responsible for any incidental or consequential damages of the Buyer. Some states do not allow the exclusion or limitation of incidental or consequential damages, so the above limitation may not apply to you.

This warranty gives you very specific legal rights, and you may also have other rights which vary from state to state.



1-800-230-3030 • *SummitRacing.com*