



Installation Instructions for

## Trick Flow LS Steam Line Plumbing Kit

TFS-30600601, TFS-306SB601, TFS-306S0601

Thank you for purchasing Trick Flow LS Steam Line Plumbing Kit.

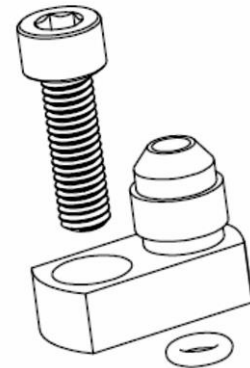
Please follow the steps outlined in this instruction manual to ensure that the installation of your new Steam Line Plumbing Kit is performed correctly.

Please read all of the enclosed information before beginning any work. If you have any questions regarding installation or the written materials supplied with your kit, contact the Trick Flow technical department at 1-330-630-1555 for assistance, Monday through Friday, from 9:00 am to 5:00 pm ET.

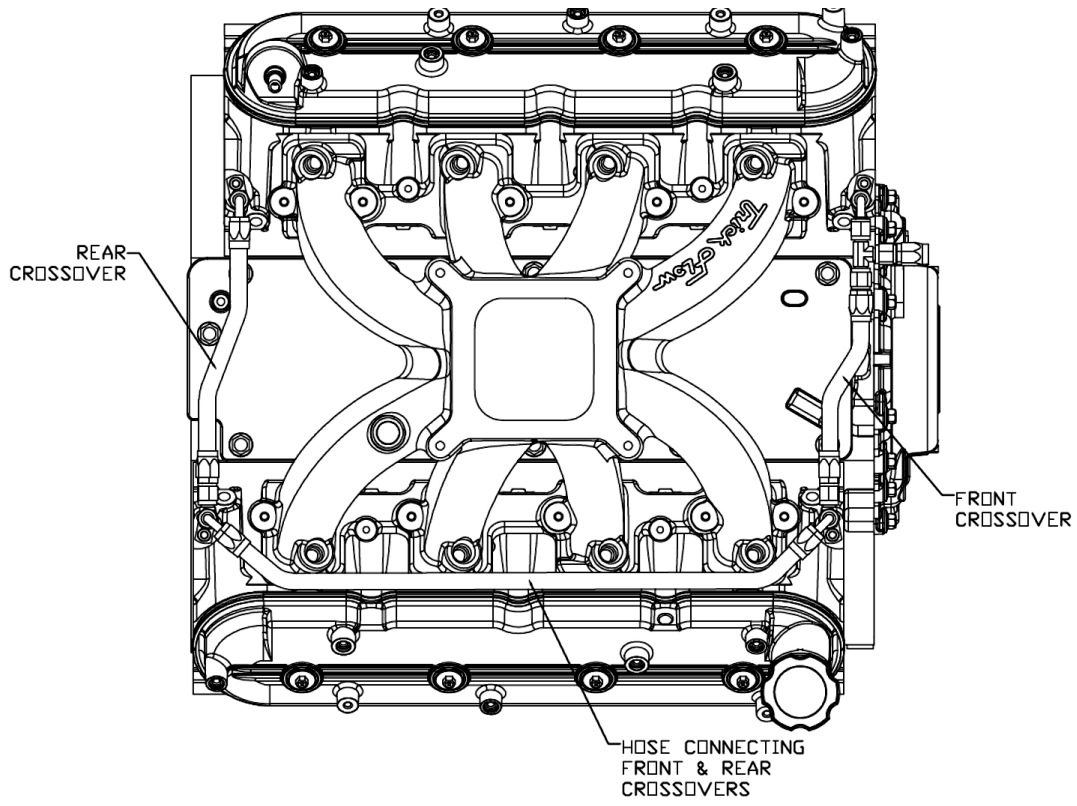
**Please note that if you are using an aftermarket aluminum intake manifold, some minor clearancing may be required.**

### Installation Instructions

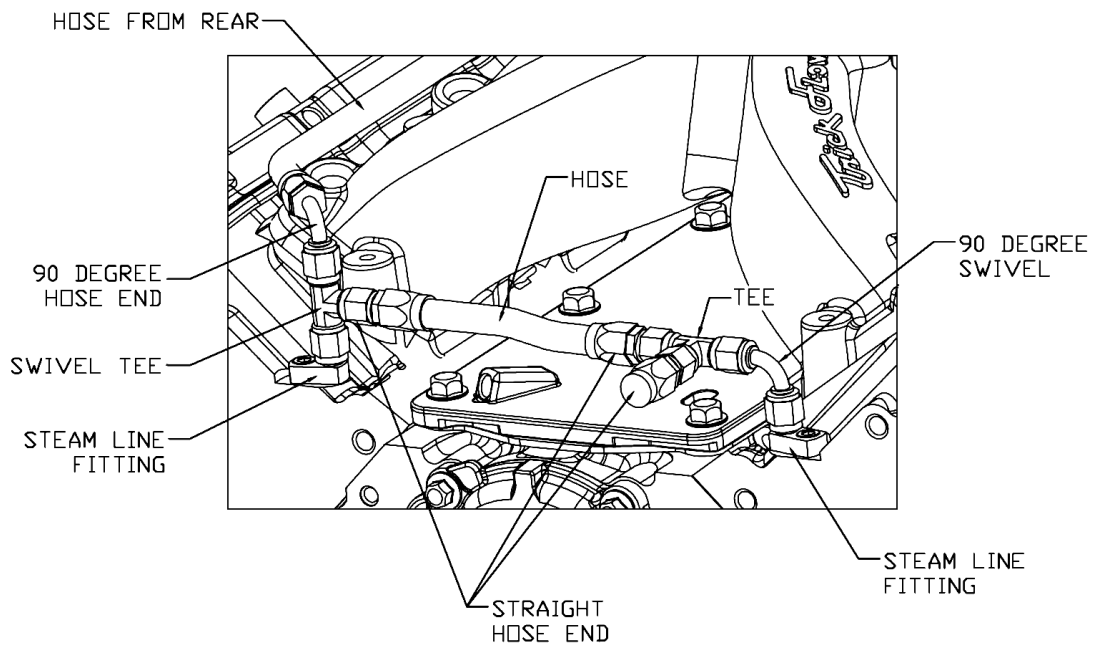
1. Be sure engine is cool, drain coolant, and remove existing steam line, if equipped.
2. Be sure all steam line sealing surfaces on the cylinder heads are clean and free of debris.
3. Install all four steam line fittings onto the cylinder heads. Be sure to install the o-ring onto each fitting before securing it to the cylinder head. Torque each bolt to 106 in-lbs.
4. This kit comes with multiple fittings to allow for various configurations. Install them where they will be best suited for your application. Install all fittings in position and tighten by hand only. The TFS-30600601 kit, uses hose barb fittings and has a different configuration than the other kits. Please refer to the specific drawing for that installation.
5. Once you have all fittings in place lay out your hose in the same manner.
6. Measure and mark your hose where you will need to make cuts. Remember to measure twice and cut once.
7. Once all of the hose sections have been cut to length install them onto the appropriate fittings.
8. Be sure to tighten all fittings securely for a leak free connection.
9. Refill the coolant to the proper level.
10. Test drive the vehicle.



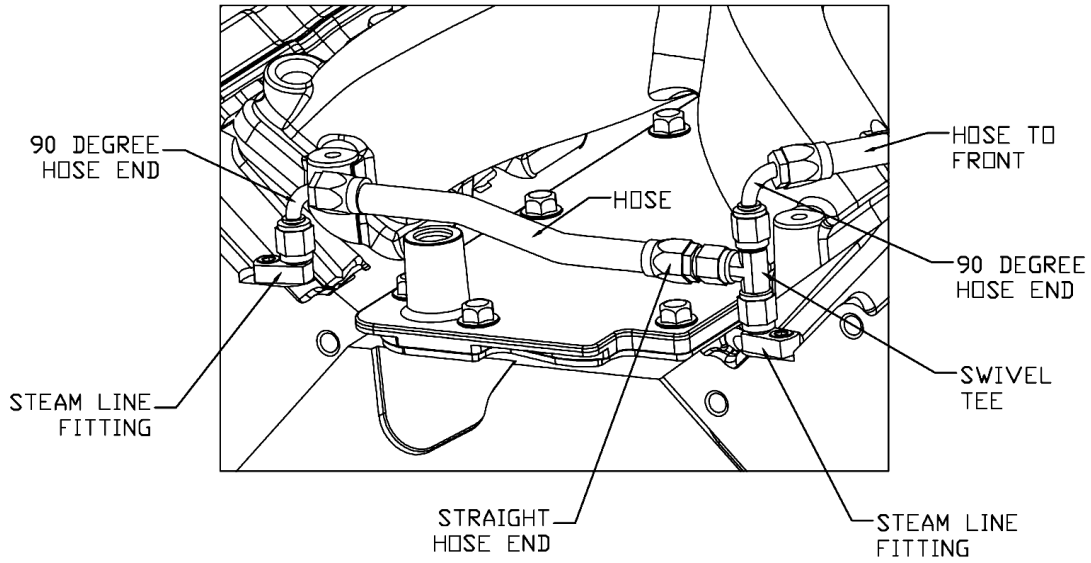
### Typical 4-corner installation



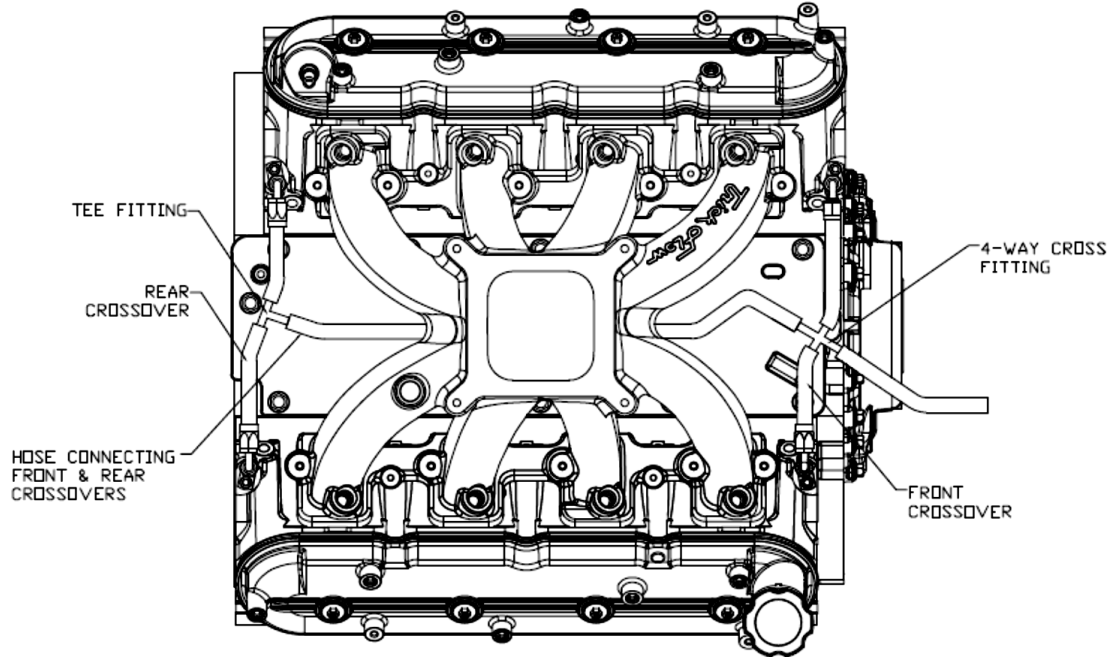
### Typical front crossover installation



### Typical rear crossover installation



### Typical hose barb installation (TFS-30600601)



## **Ultimate Bolt-On Performance® Lifetime Warranty**

Trick Flow Specialties guarantees original, unmodified cylinder head castings against manufacturing defects. Trick Flow's liability is limited to replacing the casting.

The valves, valve guides, valve seats, valve job, valve springs, valve spring retainers, valve locks, rocker arm studs, guide plates, and valve stem seals included on assembled Trick Flow Specialties cylinder heads are warranted to the original purchaser to be free from defects in materials and workmanship for a period of two years from the date of purchase. All other Trick Flow Specialties products are warranted to be free from defects in materials and workmanship for a period of 90 days. There are no mileage limitations.

### **PROPOSITION 65 WARNING**

This product may contain one or more substances or chemicals known to the state of California to cause cancer, birth defects or other reproductive harm.

TRICK FLOW SPECIALTIES  
285 WEST AVE.  
TALLMADGE, OHIO 44278  
(330) 630-1555

