

JKS[®]

Installation Instructions

Product: Quicker Disconnects™

Part Number: PN 3100 / 3104

Welcome

CONGRATULATIONS on purchasing a set of new Quicker Disconnects™ from JKS Manufacturing. We are committed to providing you with the best products available and your satisfaction is our first priority.

PLEASE READ these Installation Instructions carefully, and save them for future reference, as they contain important installation and maintenance information.

Important

NOT COMPATIBLE WITH aftermarket swaybars. Install product with Original Equipment swaybar only.

SOME VEHICLES MAY REQUIRE extended front brake hoses or other modifications to compensate for additional suspension travel.

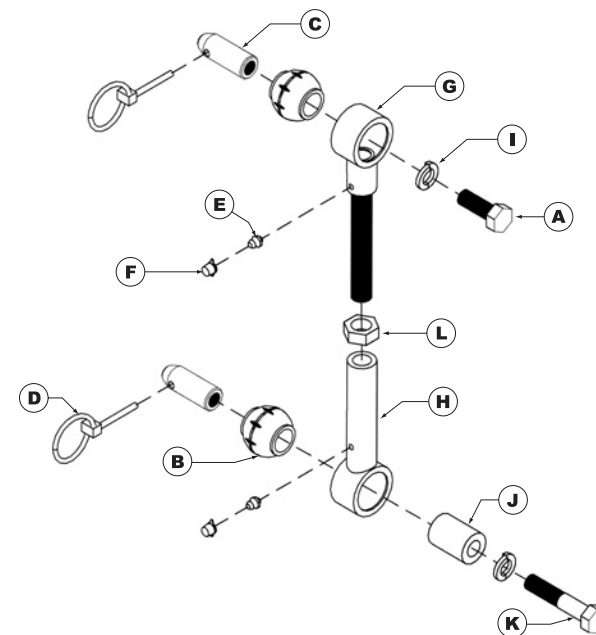
NEVER DISCONNECT swaybar when operating vehicle on public roads.

WHEN DISCONNECTED, the Quicker Disconnects must be completely removed from the vehicle and the swaybar must be secured to prevent interference with other suspension components or axle.

Tools Required

- Metric/Standard Socket Wrench Set
- Torque Wrench
- 15/16" Open-End Wrench
- #1 Philips Screwdriver or Small Punch
- Medium Strength Threadlocker
- Angle Measuring Tool
- Grease Gun with Zerk Fitting Coupler
- Wheel Bearing Grease

Parts



A	1/2" x 1-1/4" NF GR5 Bolt
B	Spherical Bushing
C	Stainless Steel Post
D	Click Pin
E	Press-In Grease Zerk
F	Grease Zerk Cap
G	Upper Male Threaded End
H	Lower Female Threaded End
I	1/2" Lock Washer
J	OE Bracket Spacer
K	1/2" x 2-1/2" NF GR5 Bolt
L	5/8" Jam Nut

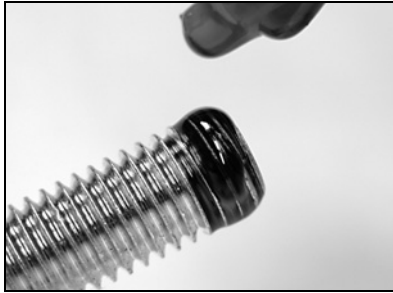
Installation

❑ 1. REMOVE ORIGINAL EQUIPMENT (OE) SWAYBAR LINKS

- Remove front swaybar drop links and mounting hardware per the factory service manual instructions for your vehicle.

❑ 2. INSTALL UPPER TAPERED POST

- Mount the tapered Stainless Steel Post (C) on outboard side of the swaybar, ensuring small Click Pin holes are horizontal or parallel with the ground.
- Apply medium strength threadlocker to the tip of 1/2" x 1-1/4" Bolt (A).



- Secure tapered post to swaybar by inserting the 1/2" x 1-1/4" Bolt (A) and 1/2" Lock Washer (I) from the inboard side and tighten to 65 ft-lb. using a torque wrench.



HINT: A small Philips head screwdriver or punch inserted into the Click Pin hole will enable you to prevent the tapered Stainless Steel Post from rotating when tightening the mounting bolt.

❑ 3. INSTALL LOWER TAPERED POST

- Locate the original lower drop link U-bracket on the axle housing. Insert the gold colored steel OE Bracket Spacer (J) into the U-bracket.

IMPORTANT: The supplied OE Bracket Spacers must be installed to prevent the U-bracket from collapsing when the mounting bolt is tightened.

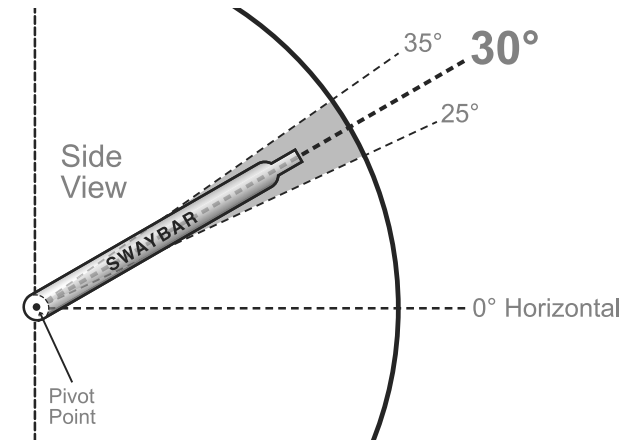
- Apply medium strength threadlocker to the tip of 1/2" x 2-1/2" Bolt (K).
- Insert the 1/2" x 2-1/2" Bolt (K) with 1/2" Lock Washer (I) completely through the holes in U-bracket and OE Bracket Spacers (J) from the inboard side of bracket.
- Thread the tapered Stainless Steel Post (C) on to the 1/2" x 2-1/2" Bolt (K) from the outboard side of U-bracket, ensuring small Click Pin holes are horizontal or parallel with the ground.
- Tighten the 1/2" x 2-1/2" Bolt (K) to 65 ft-lb. using a torque wrench. **HINT:** A small Philips head screwdriver or punch inserted into the Click Pin hole will enable you to prevent the tapered Stainless Steel Post from rotating when tightening the mounting bolt.

❑ 4. SET QUICKER DISCONNECT LENGTH

- Determine the Ideal Swaybar Angle for your vehicle according to the following chart.

Vehicle	Part Number	Maximum Length *	Ideal Swaybar Angle (Acceptable Range)
WJ Grand Cherokee	PN 3100	9-3/8"	30°
	PN 3104	11-5/8"	(25°-35°)

IMPORTANT: DO NOT exceed Maximum Length (measured from center-to-center of bushings) indicated for your part number.



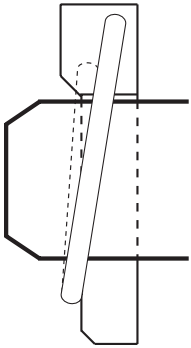
- Adjust the length of your Quicker Disconnects until swaybar is at the Ideal Angle or within Acceptable Range. Vehicle must be at normal ride height and located on level ground.
- Once adjusted, lay Quicker Disconnects on a flat surface and tighten Jam Nuts (L) firmly against the Lower Ends (H).

IMPORTANT: Bushing cradles at both ends of Quicker Disconnect must remain parallel with each other when Jam Nut is tightened.

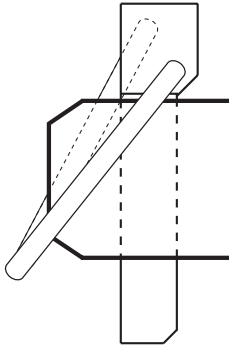
❑ 5. INSTALL QUICKER DISCONNECTS

- Slide Upper End (G) and Lower End (H) of Quicker Disconnect onto the tapered Stainless Steel Posts (C).
- Insert Click Pins (D) as illustrated to secure.

CORRECT



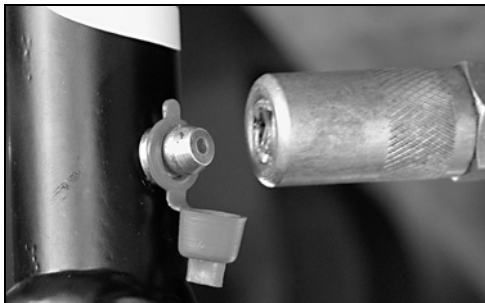
WRONG



IMPORTANT: When properly installed, the ring on the Click Pin will “snap” against the shaft of pin. When installed backwards, the ring does not fit snugly against shaft.

❑ 6. LUBRICATE QUICKER DISCONNECTS

- Lubricate all Grease Zerk fittings (E) on the Quicker Disconnects immediately after installation using common wheel bearing grease or equivalent.



Troubleshooting

If swaybar does not rotate freely, remove from vehicle, clean and apply rubber lubricant to chassis-mounted bushings, and reinstall.

Maintenance

It is important to lubricate Quicker Disconnects frequently for the first three (3) months after installation to evacuate contaminants that may build up during break-in period.

After break-in period, Quicker Disconnects should be lubricated regularly as part of vehicle maintenance schedule.

Regular cleaning with pressurized water is recommended to maximize ease of operation and reliability. Always lubricate afterwards to evacuate any moisture.

© 2009 JKS Manufacturing, Inc & Aftermarketing, LLC
Revision Date 8/5/2009