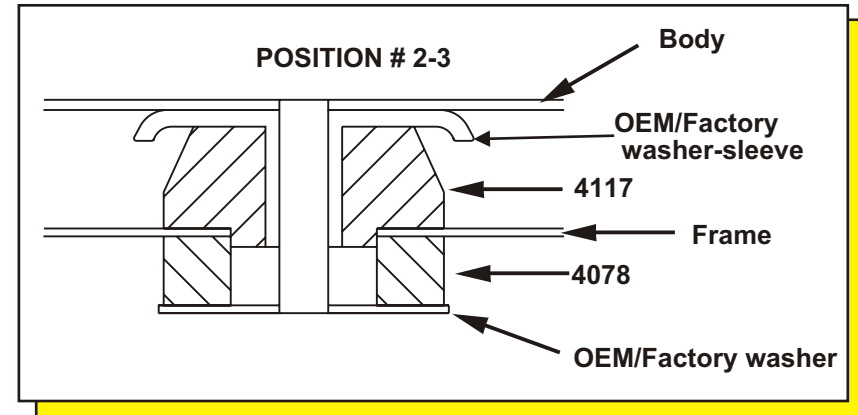
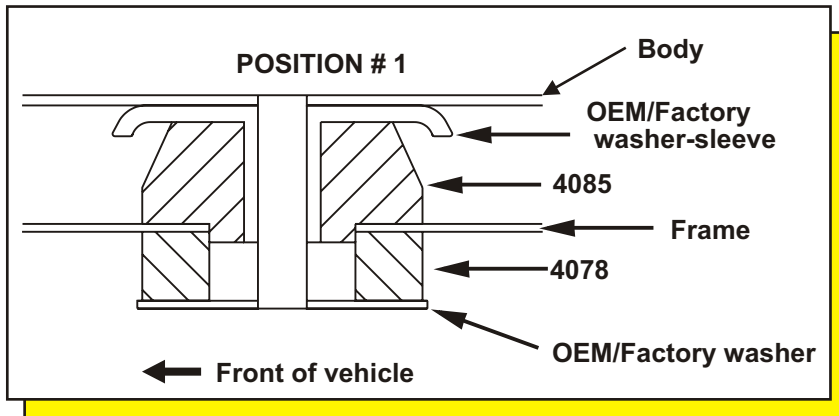


# Set # 5-4106



1131 VIA CALLEJON, SAN CLEMENTE, CA 92673



## Removal

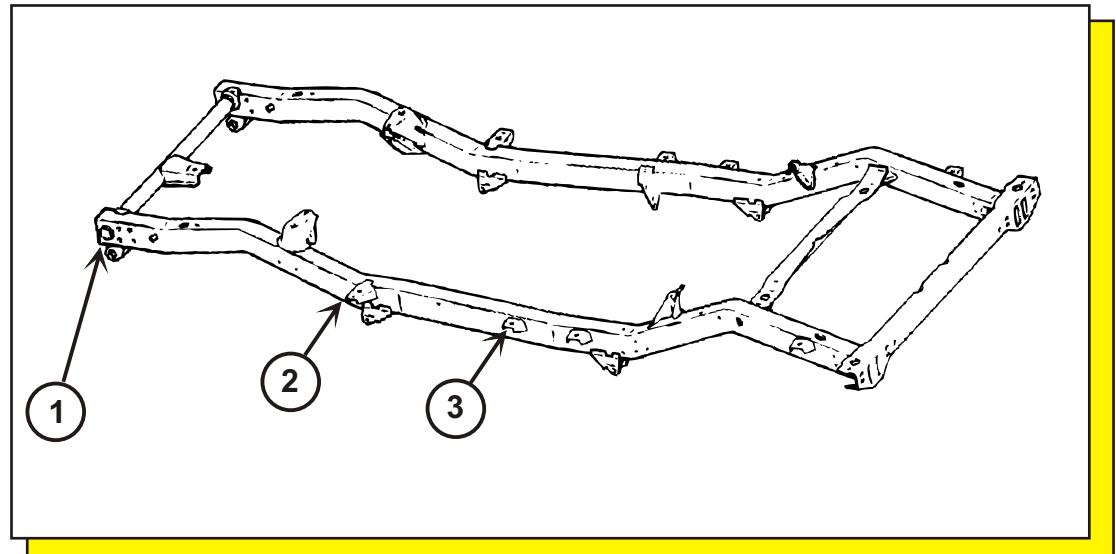
**Must re-use original hardware.**

**Note:** When disassembling, note the quantity and positions of any shims that may have been inserted for body alignment. These shims will have to be reused to insure proper body alignment.

**Remember:** Only raise body high enough to remove & replace mounts. Always watch the fan shroud for sufficient clearance when raising the body. When jacking the body use a long enough 2X4 or 4X4 for maximum support. Never put jack directly on body panels.

Install mounts one side at a time with bolts on other side loosened only.

**Retorque to factory specs.**



**17090**

3/13/97 KN  
Updated 21/JAN/02 BRH

© 2002 Energy Suspension. All rights reserved.  
May not be reproduced, in any form, or by any means,  
without the written consent of Energy Suspension.