



Driveshaft Order Form

Voice 1-800-230-3030
Fax 1-330-630-5333

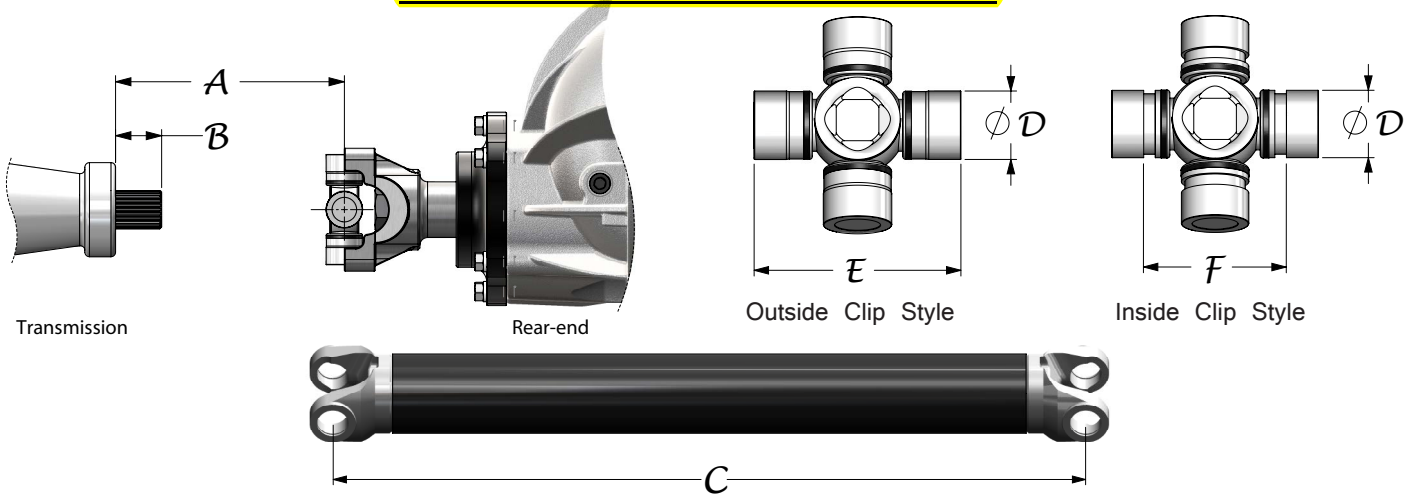


Customer		
Name:		
Phone:		
Address:		
City	State	Zip

ORDER DETAILS	
Invoice #	
Driveshaft Part #	
Transmission:	Output Shaft Spline:
<input type="checkbox"/> Bushing	<input type="checkbox"/> Roller bearing

Measurement References

If a Transmission Yoke is to be included, it MUST be purchased on the same order as the driveshaft!



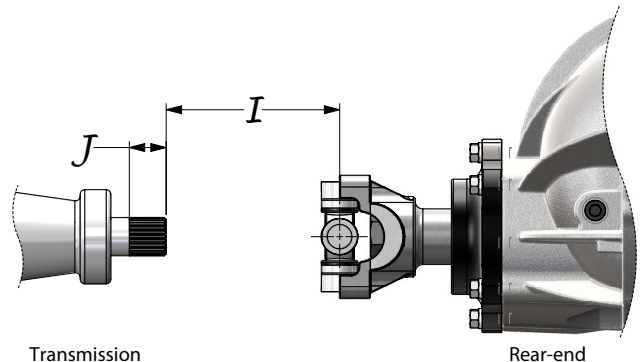
Ordering Driveshaft only (no trans. yoke)	
	Yoke end Rear end
D	_____
E (Outside Clip Style)	_____
F (Inside Clip Style)	_____
C	_____ (Maximum 60")

Ordering Driveshaft with Strange supplied trans. yoke	
A	_____
B	_____
D	_____
E	_____
I (LENCO Trans.)	_____
J (LENCO Trans.)	_____

Conversion U-joints

LENCO Trans. Measurement References

- All Strange driveshafts have 1350 series weld ends installed and are shipped with U1641 -1350 U-joints unless otherwise specified ($D=1.1875$ $E=3.625$)
- All conversion u-joints are "cross-drilled" style - **Not recommended for High Horsepower applications!**



Conversion U-joint	D	E
U1645*	1.125	3.625
U1646	1.0625	3.217
U1647	1.0625	3.625
U1648	1.125	3.625

Informational only - Included depending on sizes supplied above

* U1645 uses inside clips F=2.645

Dimension Definitions

A Distance from the transmission face to the center of the u-joint when installed in the pinion yoke

B Distance from the transmission face to the end of the output shaft

C The distance between axle shaft weld yoke centers

D Diameter of the u-joint cap

Outside snap-ring style u-joints only

E Distance between the u-joint cap faces

Inside snap-ring style u-joints only

F Distance between the outer edges of the u-joint snap ring-grooves

LENCO Transmission only

I Distance between the transmission output shaft face and center of u-joint when installed in pinion yoke

LENCO Transmission only

J Distance of the spline length on the transmission output shaft