

INSTALLATION INSTRUCTIONS

KICKER

9370, 9390, 9516, 9519, 9520, 9530, 9546, 9552, 9558, 9560 and 9590

PS / B / C

Parts List:

- | | |
|-----------------------------|--------------------------------|
| a) 1- Kicker Driver side | 8- 3/8 x 1 1/2" Flat washer |
| b) 1- Kicker Passenger side | 8- 3/8" Nut |
| c) 2- Mounting plate | 8- 3/8 x 1 1/2" Carriage bolt |
| (1) Hardware kit includes: | 2- 3/8 x 1 1/2" Flat head bolt |
| d) 8- Plastic flat washer | 2- 3/8x5 1/2x2" Hex bolt |
| e) 2- Round plastic gasket | 2- 3/8" Flat washer |
| f) 2- Square plastic gasket | 2- White plastic washer |
| g) 4- Plastic tube cover | |

Not Includes:

B type main bar

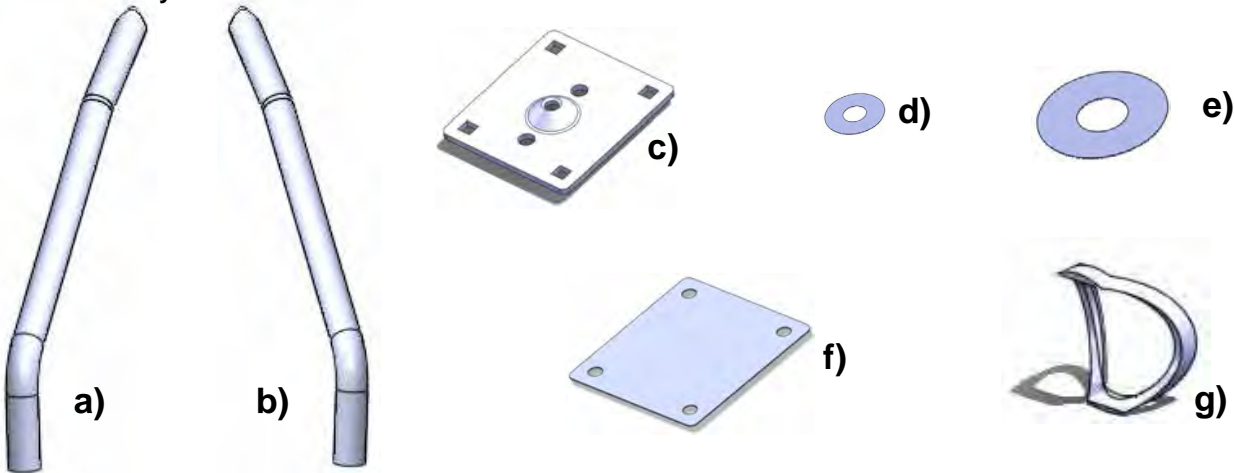
Required tools:

9/16" Wrench Hand drill Pencil
7/32" Allen wrench 7/16" Bit

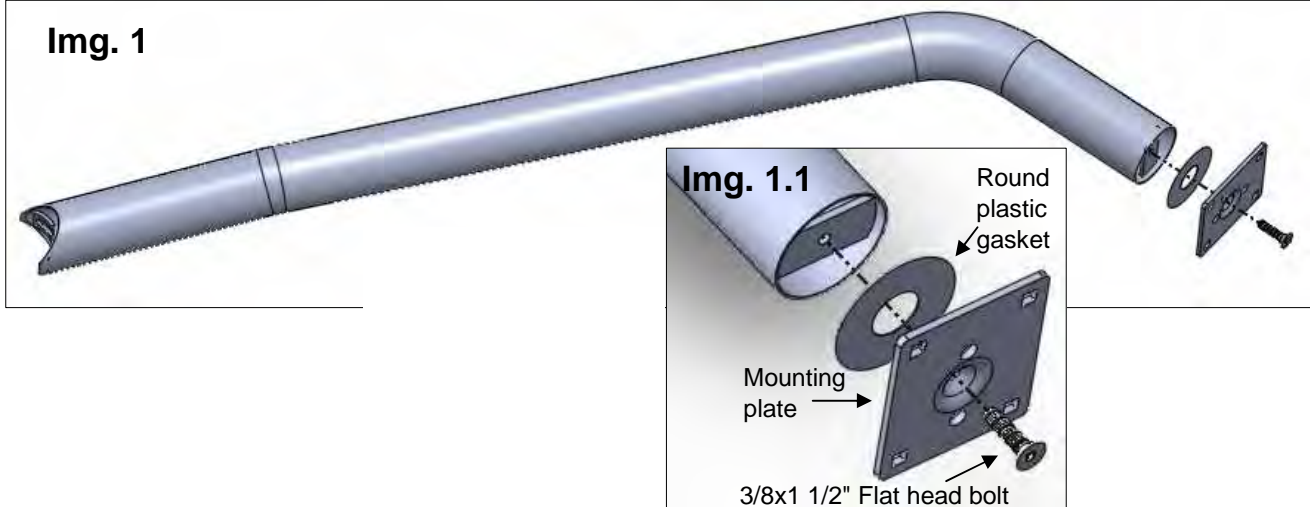
Instructions:

Aprox. Installation time: 50 min.

1. Read carefully and understand instructions before beginning installation. If you can not find any listed part, please stop installation and call to your distributor to get the missing parts, **on the last page mentions Bed Bar B, these accessories are sold separately.**



Img. 1



Cleaning and care instructions:

Keep your product clean. Do not use abrasive cleaners or polish. We recommend only non-abrasive automotive wax such as pure carnauba to avoid scratches or rust.

Design:

Quality:

INSTALLATION INSTRUCTIONS

KICKER

9370, 9390, 9516, 9519, 9520, 9530, 9546, 9552, 9558, 9560 and 9590

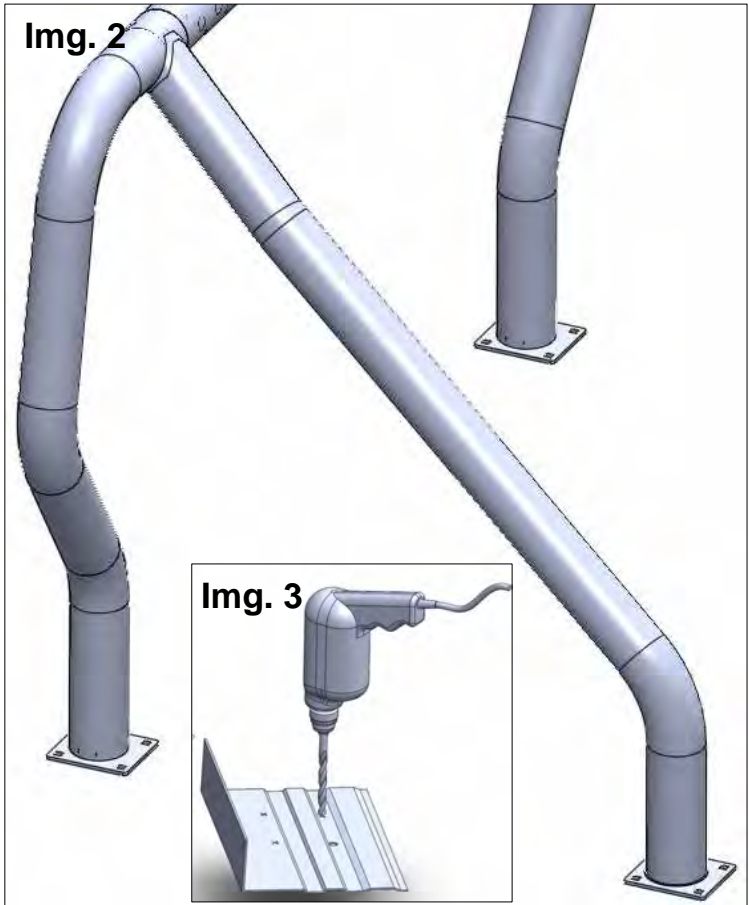
PS / B / C

3. Place the kicker to the main bar, mark with a pencil the 4 points to be drilled. See Image 2 and 2.1

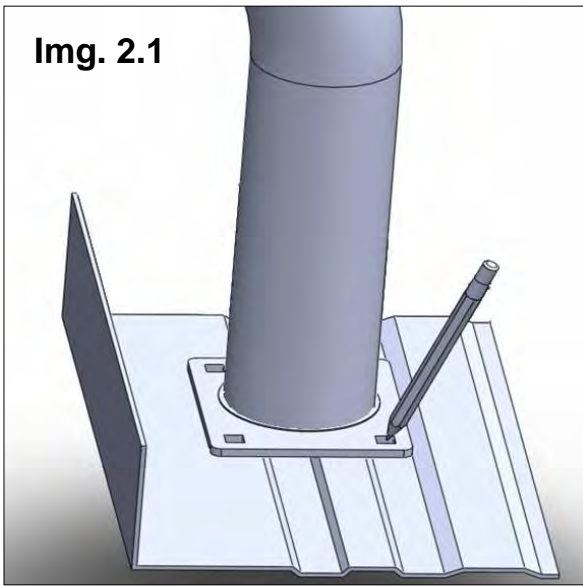
4. Remove the part to drill with a 7/16" bit. See Image 3

5. Place again the Kicker and attach to the main bar and the floor of the box. See image 4 y 4.1

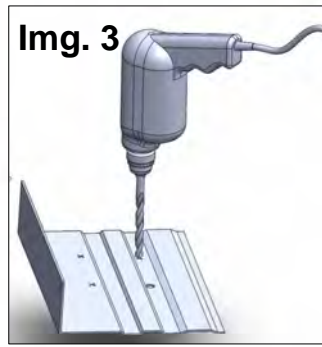
Img. 2



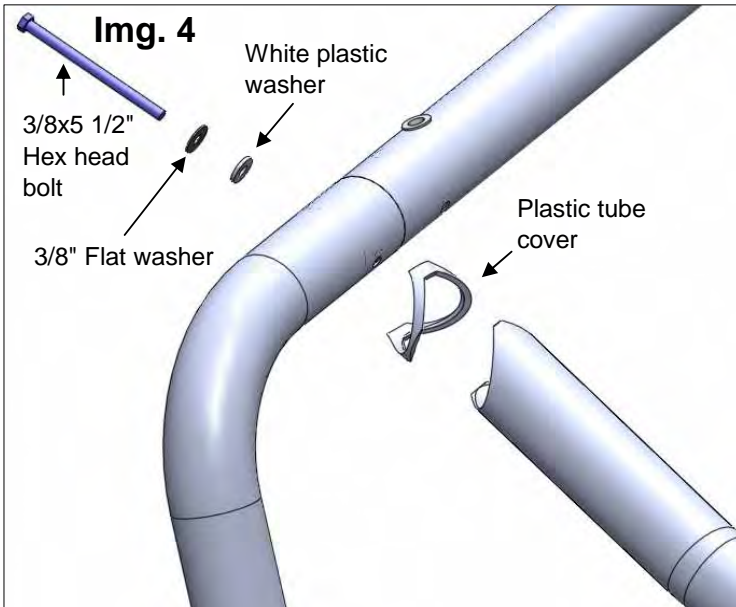
Img. 2.1



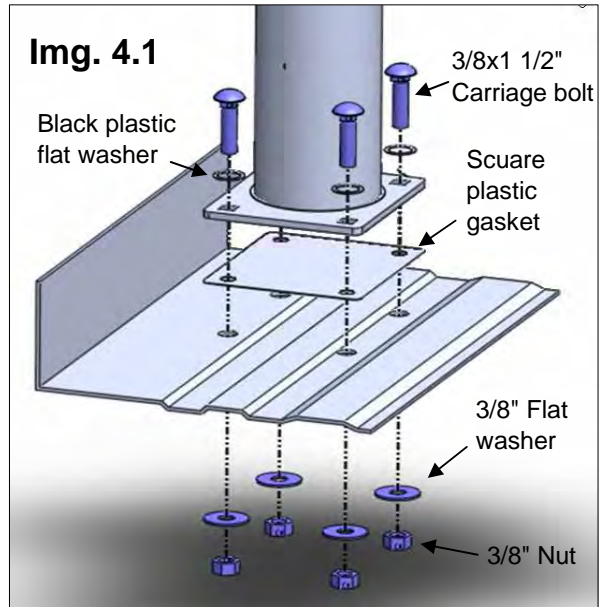
Img. 3



Img. 4



Img. 4.1



Cleaning and care instructions:

Keep your product clean. Do not use abrasive cleaners or polish. We recommend only non-abrasive automotive wax such as pure carnauba to avoid scratches or rust.

Design:

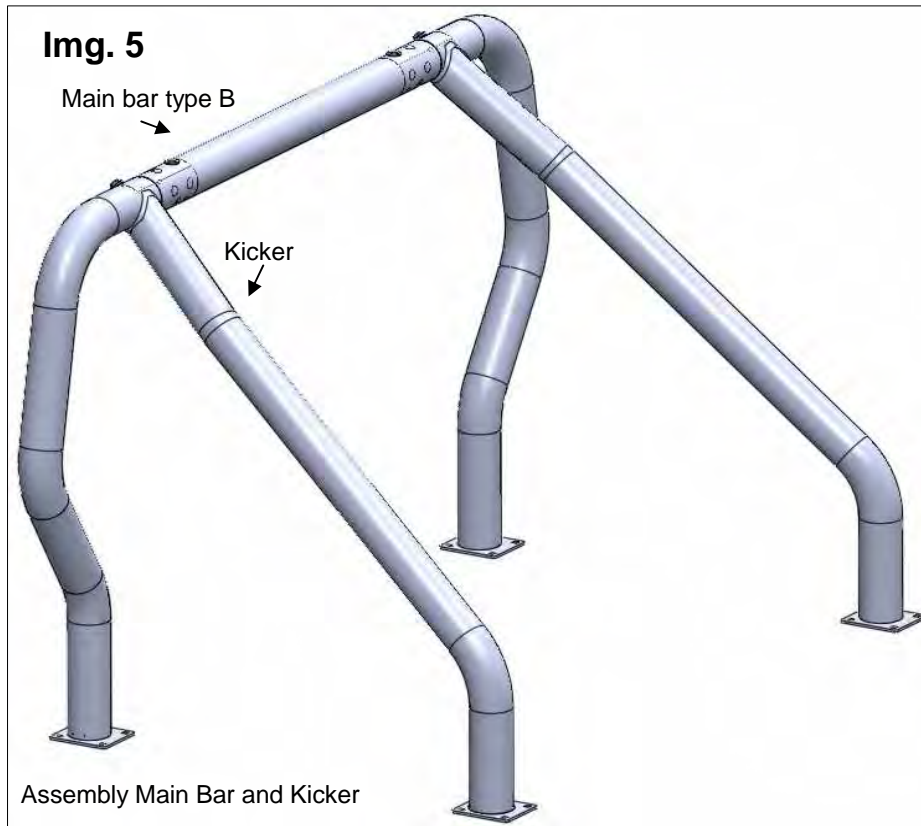
Quality:

INSTALLATION INSTRUCTIONS

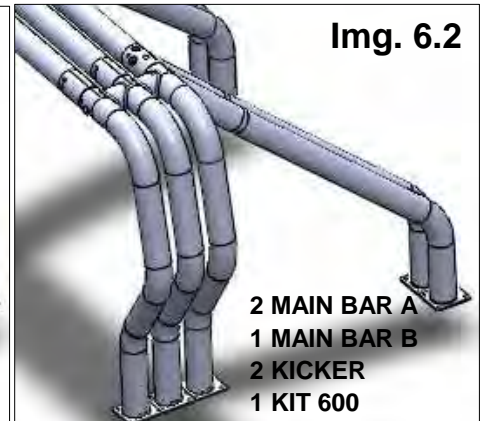
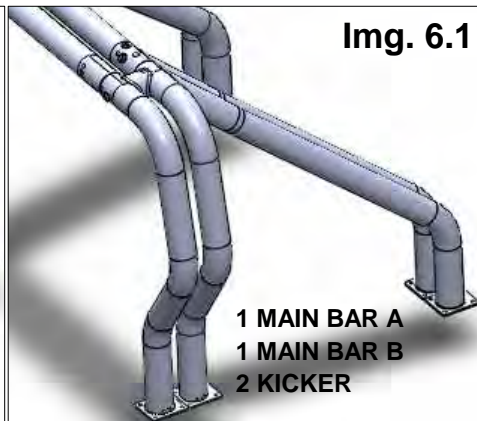
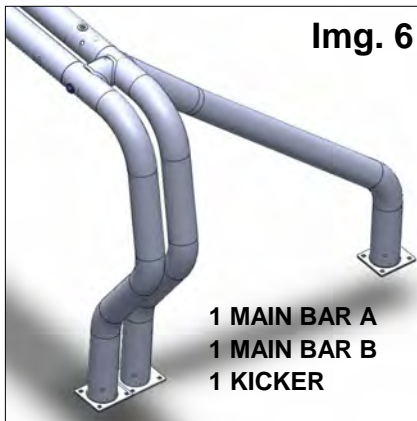
KICKER

9370, 9390, 9516, 9519, 9520, 9530, 9546, 9552, 9558, 9560 and 9590

PS / B / C



Acquiring the necessary parts, you can make the following settings. Images 6, 6.1 and 6.2



8. Align Bed Bar, and then tighten all bolts, from bottom to top.
9. Periodically it may need a bolts re-tighten.
10. Fill the warranty card and place it inside your vehicle's glove box.

Cleaning and care instructions:

Design:

Quality:

Keep your product clean. Do not use abrasive cleaners or polish. We recommend only non-abrasive automotive wax such as pure carnauba to avoid scratches or rust.