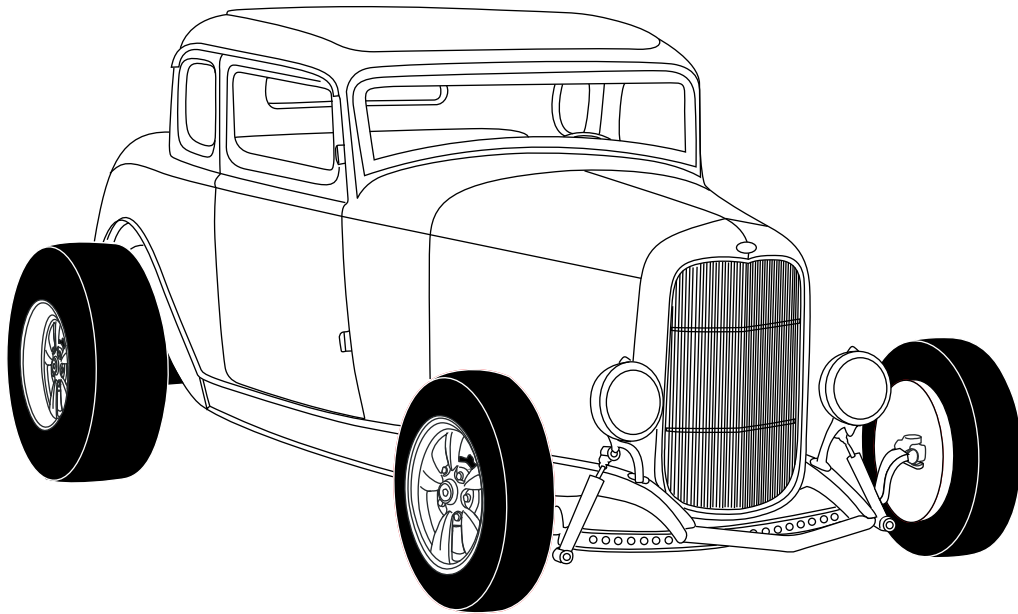




an ISO 9001:2008 Registered Company

Gen II Heater

with Defrost
506101



18865 Goll St. San Antonio, TX 78266 ph: 210-654-7171 fax: 210-654-3113



Table of Contents

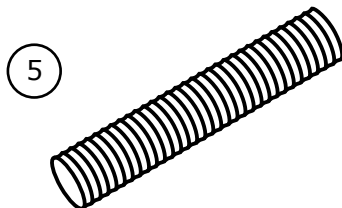
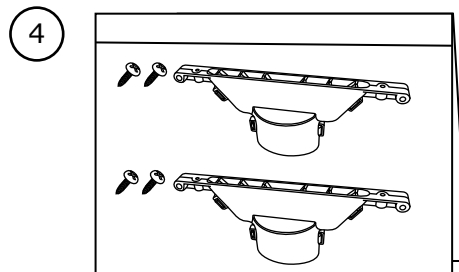
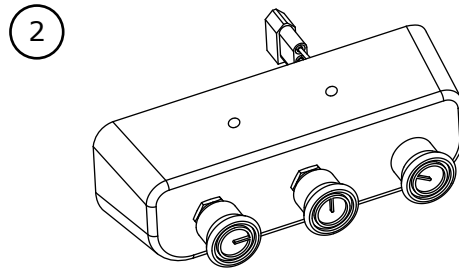
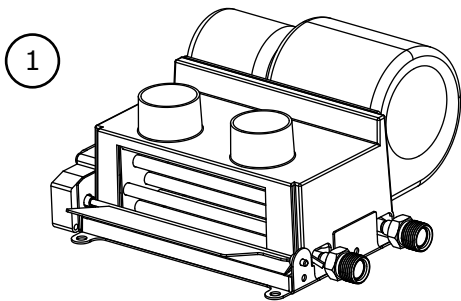
- 1. Cover**
- 2. Table of Contents**
- 3. Packing List/Parts Disclaimer**
- 4. Heater Installation**
Figure 1
- 5. Heater Hose & Heater Control Valve Installation**
Figure 2
- 6. Defrost Duct Installation & Control Panel Operation**
Figures 3 & 4
- 7. Wiring Diagram**
- 8. Packing List**



Packing List: Gen II Heater Kit with Defrost (506101)

No.	Qty.	Part No.	Description
1.	1	506601	Gen II Heater with Defrost Sub Case
2.	1	479000	Gen II Heater with Defrost Wiring Kit
3.	1	633810-VUA	Universal Defrost Duct Kit
4.	1	633601	Gen II Heater with Defrost Installation Kit
5.	5	06200-VUE	2" Duct Hose Per Foot

**** Before beginning installation, open all packages and check contents of shipment. Please report any shortages directly to Vintage Air within 15 days. After 15 days, Vintage Air will not be responsible for missing or damaged items.**





Heater Installation

1. Use heater unit as a template and drill (4) 9/32" diameter mounting holes as shown in Figure 1, below. **NOTE:** The Vintage Air heater unit is designed to mount inside of the firewall in the passenger compartment. The installation of the unit varies according to body manufacturer or modifications to original firewall. After selecting location, be sure unit does not interfere with cowl vent, wipers, etc.

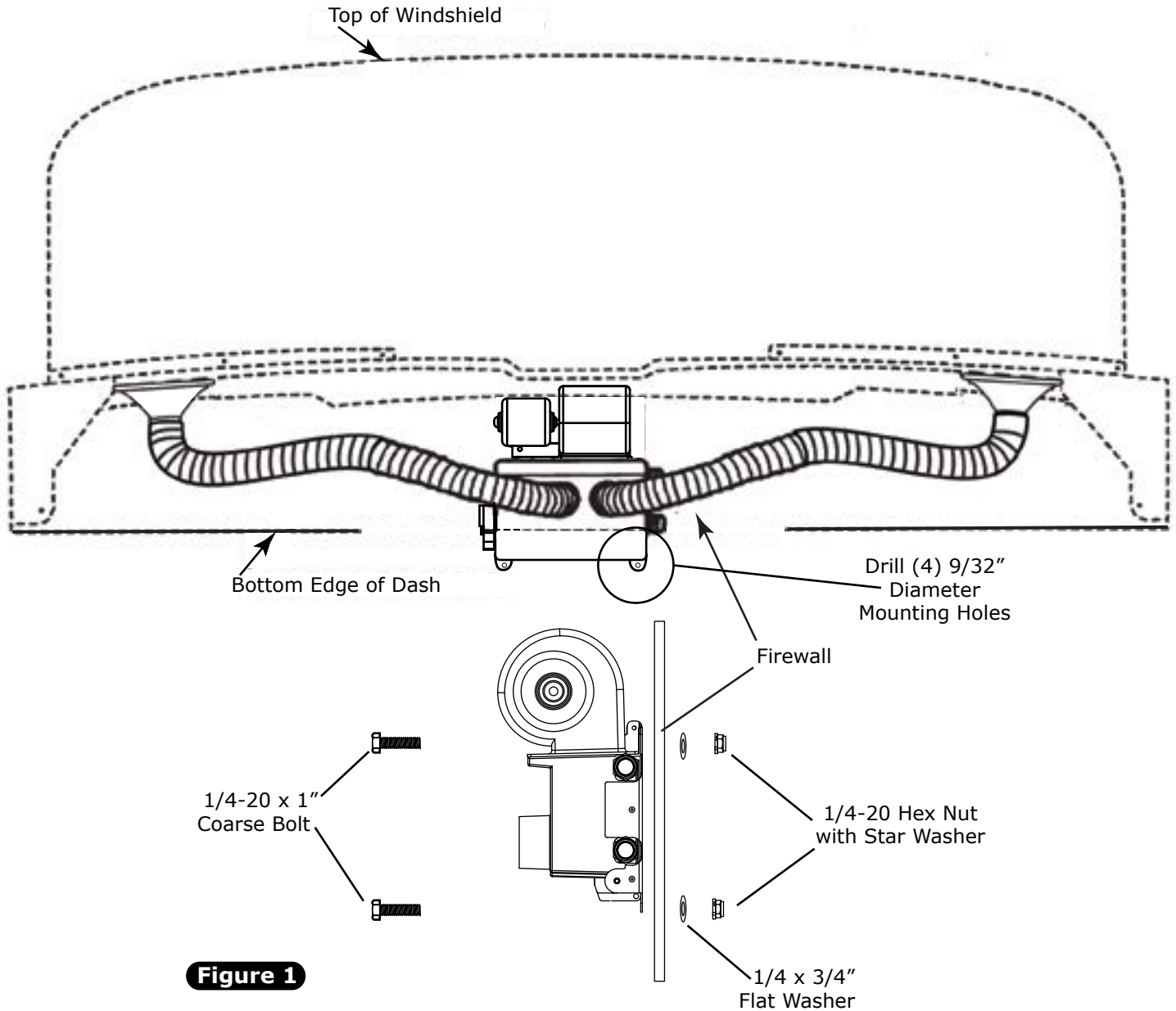


Figure 1



Heater Hose & Heater Control Valve Installation

NOTE: Vintage Air systems require (2) 5/8 hose nipples (not supplied). One for the intake (pressure) and one for the water pump (suction). If required, remove existing hose nipple or nipples and install new 5/8 hose nipples in intake and water pump.

1. Route a piece of heater hose from the water pump to the top heater fitting of the heater core as shown in Figure 2, below. Secure using hose clamps.
2. Route a piece of heater hose from the intake to the bottom heater fitting of the heater core as shown in Figure 2, below. **NOTE: Install heater control valve inline with the intake manifold (pressure side) heater hose, and secure using hose clamps as shown in Figure 2, below. Also note proper flow direction.**
3. Fill radiator with coolant. Check all heater connections for leaks.
4. Start engine and run until normal operating temperature is reached. Place switch in heat position (See Figure 4, Page 6) and select fan speed desired. The system will heat the vehicle.
5. When valve is closed, inlet side of valve should be hot and outlet side should be cool. When valve is open, both inlet and outlet side should be hot.

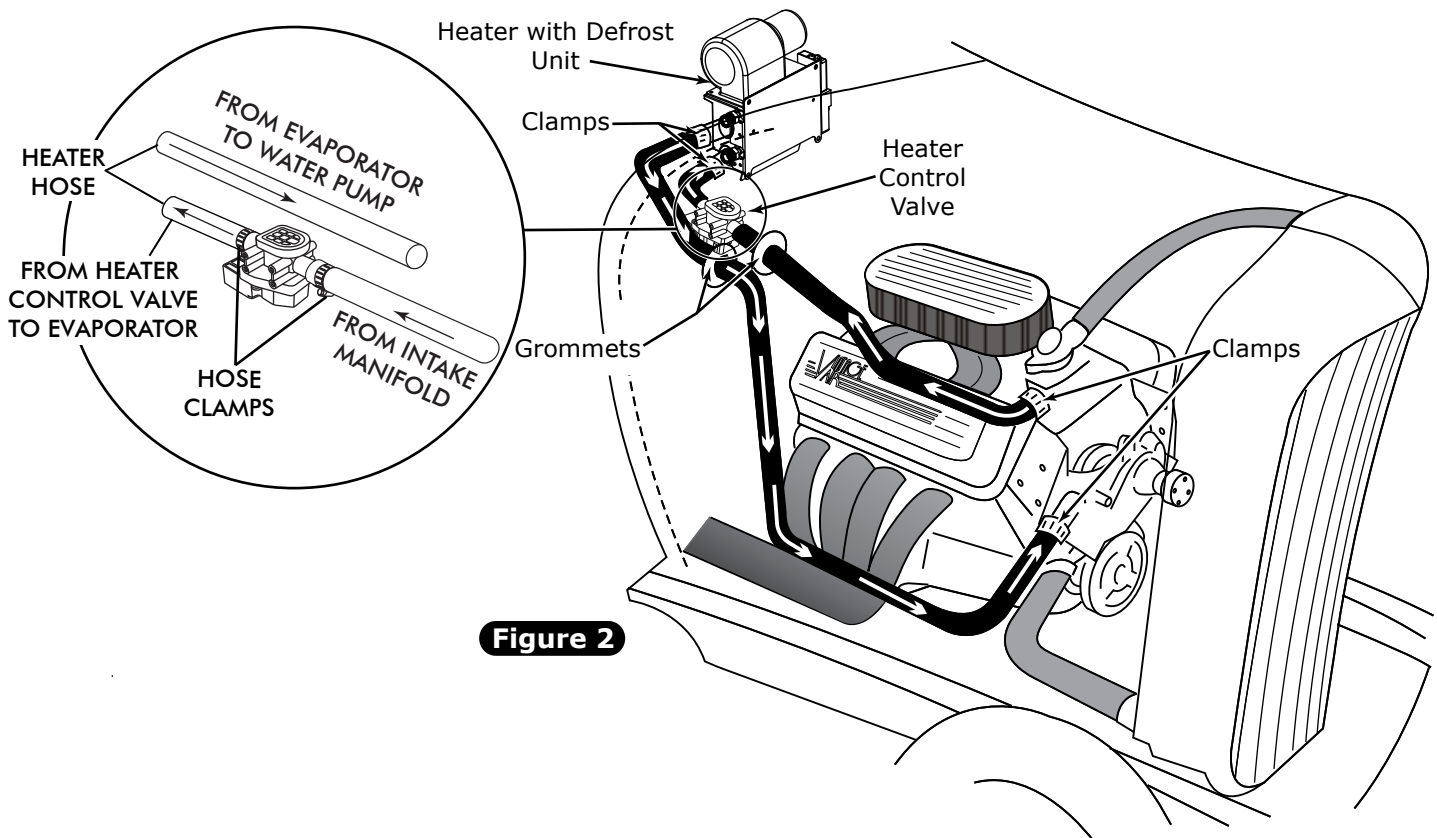


Figure 2



Defrost Duct Installation

1. Install the defrost ducts as shown in Figure 3, below. **NOTE: Figure 3 shows general locations of defroster ducts. The location of these ducts will vary.**

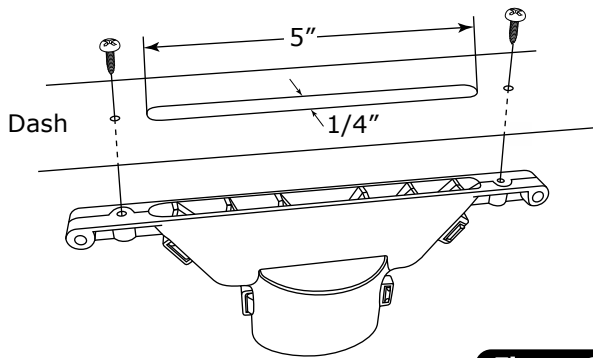
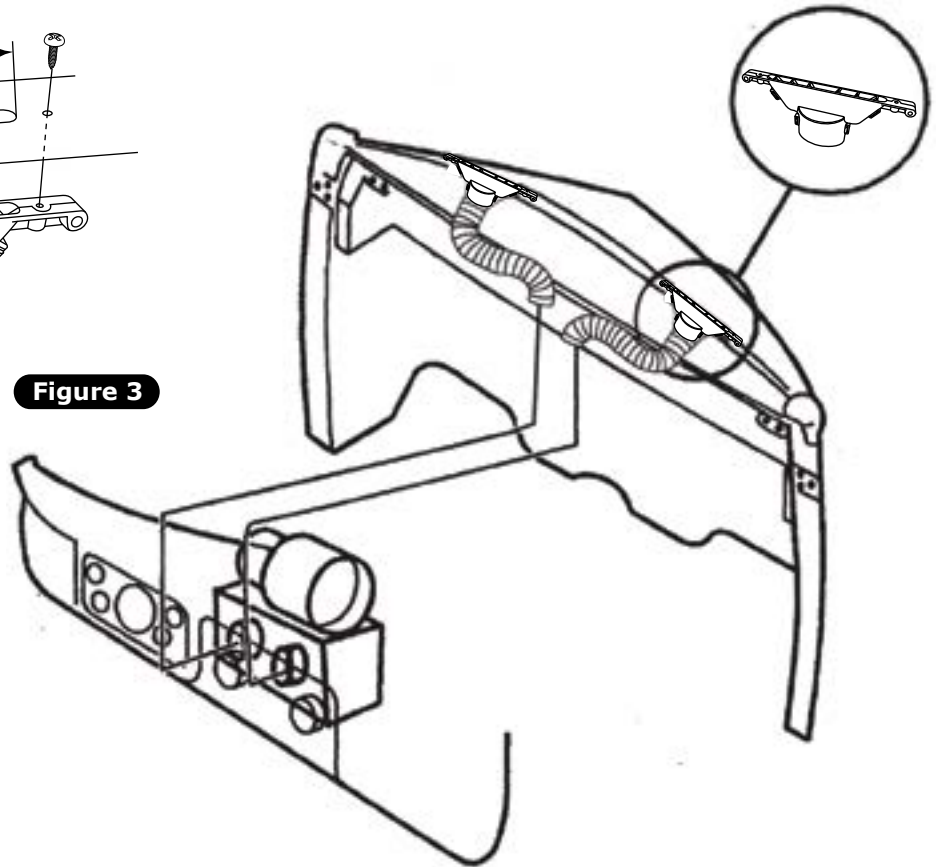


Figure 3



Control Panel Operation

1. **Blower Switch:** Located on the left and controls 3-speed fan motor.
2. **Mode Switch:** Located in the center, full counter clockwise is the first position and considered off if the blower is not turned on. The first position activates the Bi-level mode and directs air to both defrost and floor levels. The second position activates the floor mode. The heater door opens and directs air to exit at floor level. The third position activates the defrost mode and will direct air to the defrost vents.
3. **Temperature Control Switch:** Located on the right, this allows you to adjust the temperature of the heat running through the system. For hotter temperatures, turn the switch clockwise and counterclockwise to reduce the temperature.

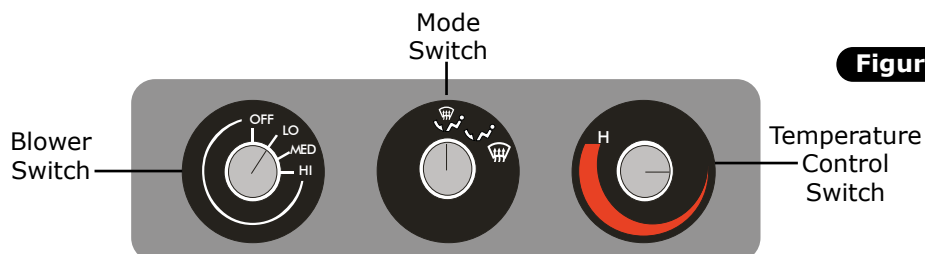
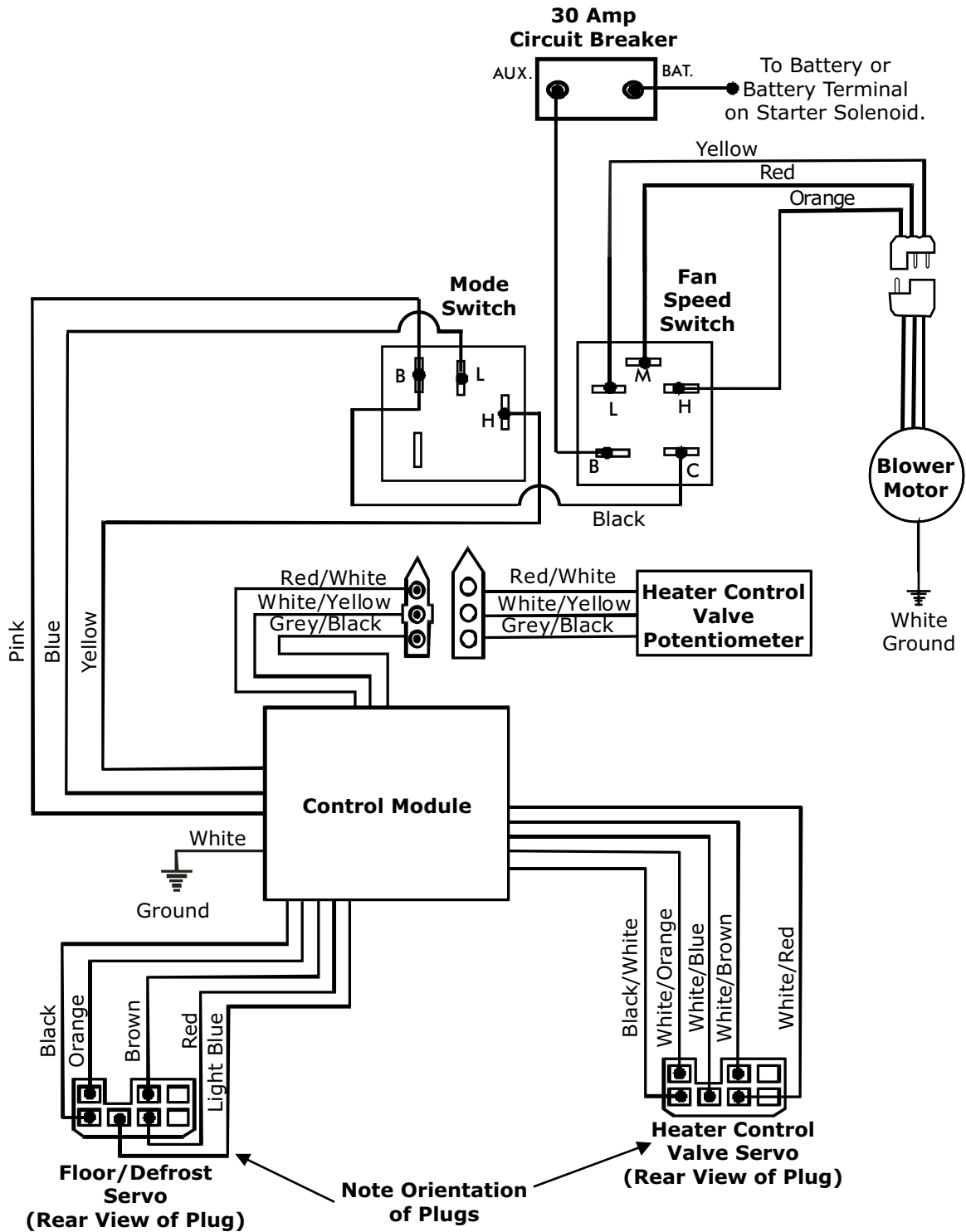


Figure 4



Wiring Diagram: Gen II Heater





Packing List:

Gen II Heater Kit with Defrost (506101)

No.	Qty.	Part No.	Description	
1.	1	506601	Gen II Heater with Defrost Sub Case	_____
2.	1	479000	Gen II Heater with Defrost Wiring Kit	_____
3.	1	633810-VUA	Universal Defrost Duct Kit	_____
4.	1	633601	Gen II Heater with Defrost Installation Kit	_____
5.	5	06200-VUE	2" Duct Hose Per Foot	_____

Checked By: _____
 Packed By: _____
 Date: _____

