



2501 Ludelle Street
Fort Worth, Texas 76105
817-244-6898 phone
817-244-4024 fax
800-423-9696 orders

E-Mail: painless@painlessperformance.com
WebSite: <http://www.painlessperformance.com>

Installation Instructions

50420

1979-86 Mustang Switch Panel

The 50420 switch panel is designed to be mounted in the radio/stereo location using the screws provided.

The large red wire, that has been spliced several times, is included in the kit to provide power to all the switches.

The spliced black wire is included to provide a ground to the lights. After you have installed the lights in the panel, take one wire from each light and crimp it to the butt connector on the black spliced wires. Take the other light wire and crimp on a ring terminal provided in the kit. Connect the wires to the switch as shown in the illustrations.

Individual wires with terminals on one end are the wires to be routed from the switch to the device being controlled. The terminal end is for the switch and once the wire has been routed, the extra length may be cut off and then terminated. This kit has one extra switch and one extra wire, which may be needed in your particular application.

The following chart is a guideline to what color wire is normally used for a particular circuit.

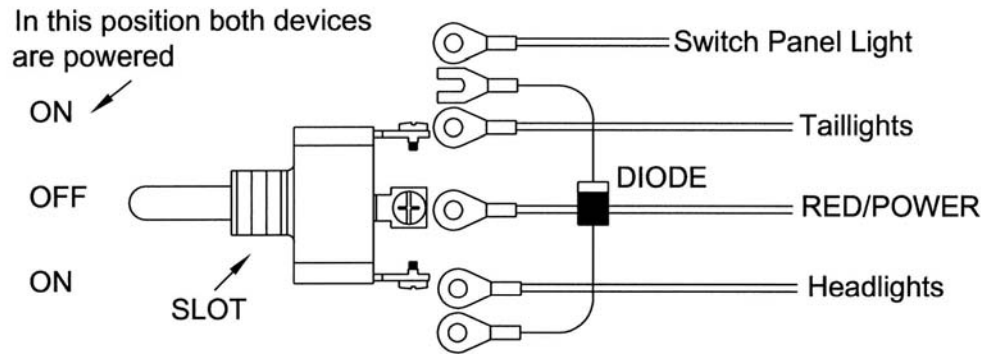
Red; Battery power
Black; Chassis ground
Purple; Starter solenoid
Blue; Water pump
Gray/White; Electric fan relay

Orange; Accessory
Yellow/White; Fuel pump
Pink; Ignition coil
White; Accessory

Figure "A" illustrates the proper hookup of wires when using an on/off/on switch and a diode. This setup is used when two devices are to be operated and one of the devices is to be on in both positions. An example might be headlights and taillights. With the switch in the lower position only the taillights are on and in the upper position the headlights and taillights are on. The diode, shown in the illustration, allows this function to take place. If the diode is not used, the switch operates two devices independently as shown in **Figure "B"**.

Figure "C" illustrates the proper hookup of wires to an on/off switch, which will control a single device.

FIGURE A



NOTE: The diode is to be used when wanting to operate two devices and have them both powered in one of the on positions.
Example: Headlights and Taillights

FIGURE B

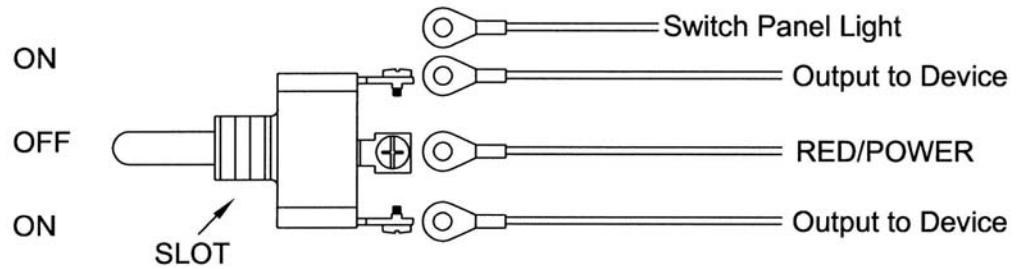
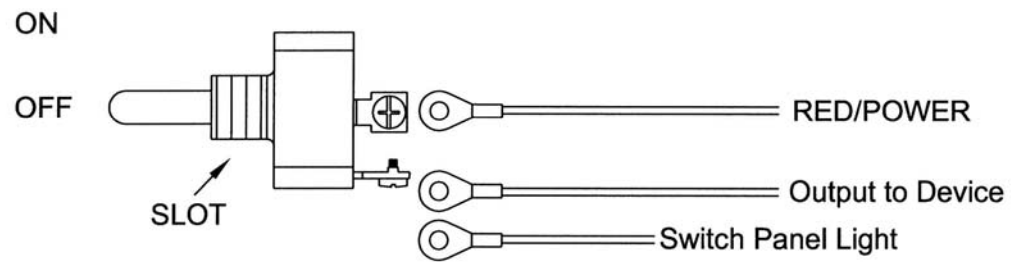


FIGURE C



Painless Performance Limited Warranty and Return Policy

Chassis harnesses and fuel injection harnesses are covered under a lifetime warranty.

All other products manufactured and/or sold by Painless Performance are warranted to the original purchaser to be free from defects in material and workmanship under normal use. Painless Performance will repair or replace defective products without charge during the first 12 months from the purchase date. No products will be considered for warranty without a copy of the purchase receipt showing the sellers name, address and date of purchase. You must return the product to the dealer you purchased it from to initiate warranty procedures.

Copyright © 2007 by Perfect Performance Products, LLC