



INSTRUCTION SHEET

Bulletin No. 1531219

Ranco Automotive Thermostatically Controlled Heater Control Valve Repair Procedure (HTR-100)

NOTE: These instructions are to be used only on RANCO type valves and to service those part numbers used on the reverse side. At all times be observant in disassembly, as there are some parts that can be reassembled backwards, upside down, or with wrong orientation which may not let the valve perform properly.

VALVE DISASSEMBLY INSTRUCTIONS

1. Remove the Spring from the Arm and Bracket (see 1 of Diagram "A").
2. Remove the black overtravel clip (see 2 of Diagram "B" from the Shaft and Lever Assembly. The slot of the clip is from the side. The clip must be removed sideways (see sketch of clip, Diagram "B").
3. Remove the Frame Assembly (see 3 of Diagram "C") by bending (4) tabs up and lift off.
4. Remove the Water Valve Assembly (see 4 of Diagram "C") by clamping snugly into a vice, then bend (4) tabs up. (Look for the orientation before removing from Bracket.)
5. Remove clip, bell and seal from the Shaft Assembly (see Diagram "C"). Observe where the top of the seal is in relation to the Shaft.

REASSEMBLY INSTRUCTION

1. Replace the seal and wire retainer in the same position as removed.
2. Install bell and small clip.
3. Install Valve to Bracket. NOTE: All tabs on Valve body must be straight for insertion into the Bracket with no major force applied, as this could bend the body and create a water leak. Install Valve to Bracket. Observe orientation.
4. Install Frame Assembly onto the Bracket.
5. Install the overtravel clip to Lever and Shaft.
6. Install the Spring to the Arm and Bracket.

DIAGRAM A

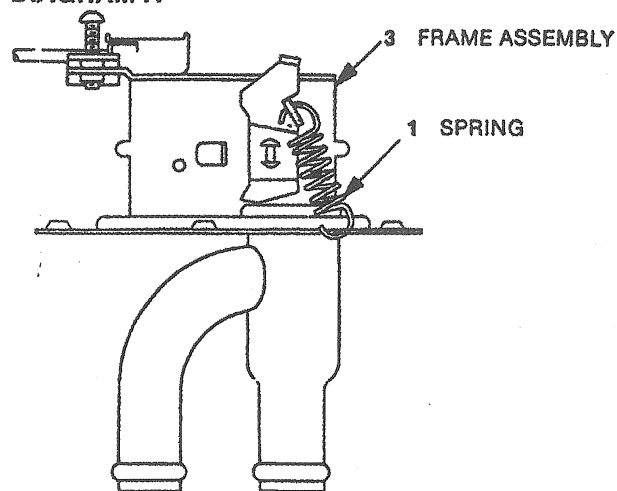


DIAGRAM B

(Bottom View)

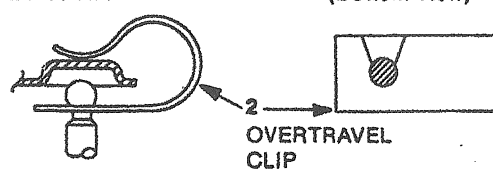
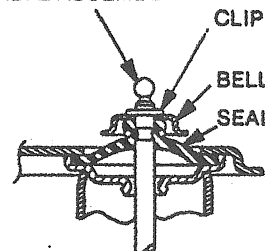


DIAGRAM C

4 WATER VALVE ASSEMBLY



Application Summary

The RANCO Automotive Service Kit for Thermostatically Controlled Heater Control Valves may be used to service 170 original equipment part numbers for many early model applications as listed below:

Make	Years
AMC	1955-73
CHRYSLER	1950-69
DESOTO	1950-63
FIAT	Some early models
FORD	1953-63
GM	1950-63
HUDSON	1950-55
IHC	1950-75
PACKARD	1953-55
SAAB	1974-80
STUDEBAKER	1950-63
VOLVO	Through 1983

ORIGINAL EQUIPMENT PART NUMBERS

AMC	DESOTO	3130964
3141440	1479841	3133535
3146518	1540547	3137762
3166387	1605280	3137884
3169231	1648037	3137964
3176023	1688946	3138018
3178698	1753586	3138019
3210289	1819516	3139880
3214442	1880444	3140806
3437604	1971814	3142823
3455545	1972718	3146294
4386046	1972777	3147318
4386583	2084273	3147574
	2084461	3149596
CHRYSLER	FIAT	3149677
1233799	4013116	3149910
1369742	4046130	3150613
1479841	4054672	3151404
1540547		3152082
1605280	FORD	3154091
1648037	0A18502A	3175727
1688946	1A18502A	3727607
1704116	B5A18502A	HUDSON
1753586	B7A18502B1	302628
1819515	B9FL18502A	306087
1819516	C0AF18502D	306088
1880444	C0AF18502E	311043
1880445	C1SF18502A	IHC
1885833	C1UF18502A	C64401
1885834	C2SA18502A	224556-R91
1887159	C3UZ18502A	239852-R91
1887226	FAC18502A	86607-R91
1917814	FDA18502B	86607-R92
1917815	FDH18502D	61481244
1932796	FDI18502A	PACKARD
1971814	FDL18502A	444644
1971816	FDU18502A	475064
1972718	FEK18502A	SAAB
1972735	FFC18502A	715949
1972776	C62328	730427
1972777	CA807B	STUDEBAKER
1972779	GENERAL MOTORS	526611
1972781	519769	530100
1992718	523223	532880
2076323	529471	1554534
2084273	569689	1557364
2084460	570811	1558697
2084461	1163846	VOLVO
2096793	1175397	345157
2096794	1178563	654561
2096795	1181344	661566
2096796	1459701	673451
2219280	1461402	673452
2275592	1461403	676269
2277024	1462817	679480
2277739	1464621	68536-4
2448674	2305311	685705
2485197	2320208	1215136-1
2521672	3119612	
2586986	3127213	
2607027	3128099	
2837845	3129491	



RANCO

AUTOMOTIVE DIVISION 555 London Road Delaware, Ohio 43015
 Ranco is a multi-national manufacturer of environmental comfort, convenience and safety control devices, and systems automatically regulating temperature, pressure, time, current, flow, and humidity.