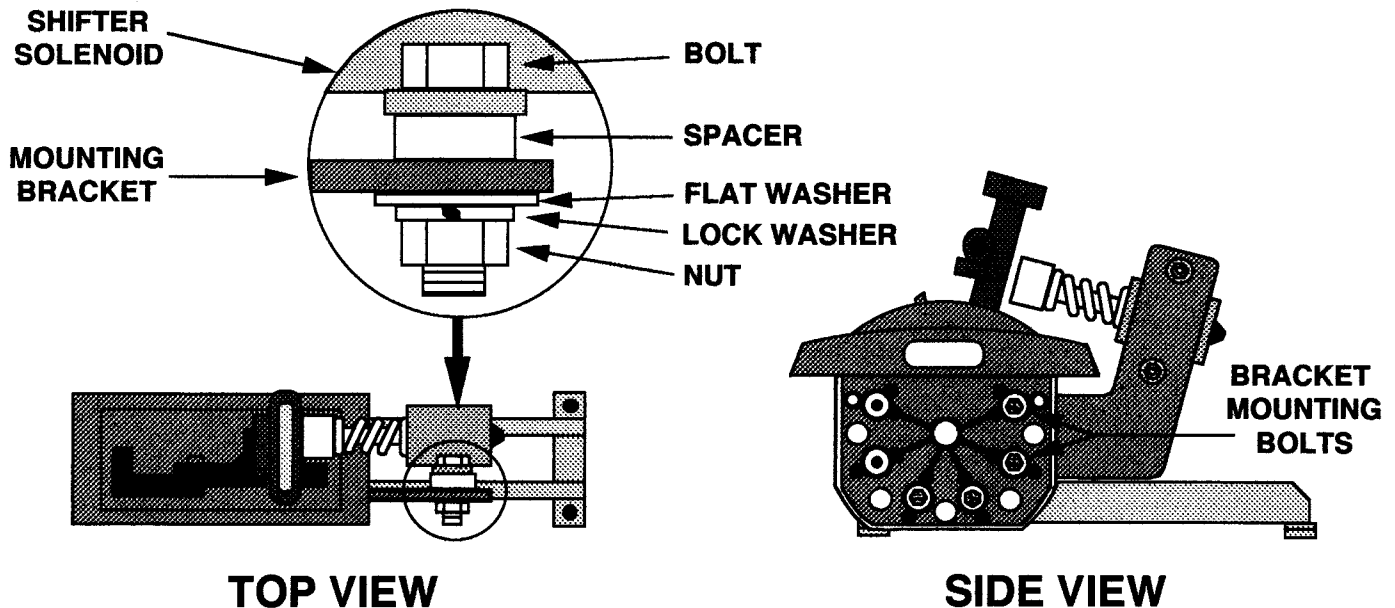


## INSTALLATION INSTRUCTIONS

The SS6 solenoid shifter is designed to shift 2-speed Powerglide transmissions using a Turbo Action Cheetah shifter. The SS6 solenoid works by using a "hold" style electric solenoid to hold back a spring loaded plunger. The solenoid is constantly "on" and when the spring is compressed by pulling the shifter into low gear, the solenoid will lock it in place. At the preset RPM or time, the RPM switch or timer will momentarily cut power to the solenoid, releasing the spring loaded plunger which pushes the shifter from low to high gear.

## INSTALLATION

1. Using the two included 1/2" long bolts with no washers, bolt the SS-6 bracket to the Turbo Action shifter as shown below.
2. Install the solenoid assembly on to the mounting bracket with the remaining hardware using the aluminum spacers between the solenoid and the bracket.
3. Choose the appropriate wiring diagram from the reverse side and wire as shown.
4. Once wired, power up the system, and by hand push the plunger into the solenoid until it locks in the "cocked" position.
5. Pull the shifter handle into low gear, adjust the solenoid using the slotted holes in the mounting bracket so it just barely touches the back of the shifter handle in low gear.
6. Remove power from the system to make the solenoid shift. Make sure the solenoid moves the shifter completely into high gear.
  - Adjust the nut at the back of the solenoid to adjust the total throw of the solenoid so that there is about 1/16" clearance between the plunger and the shift handle in high gear.

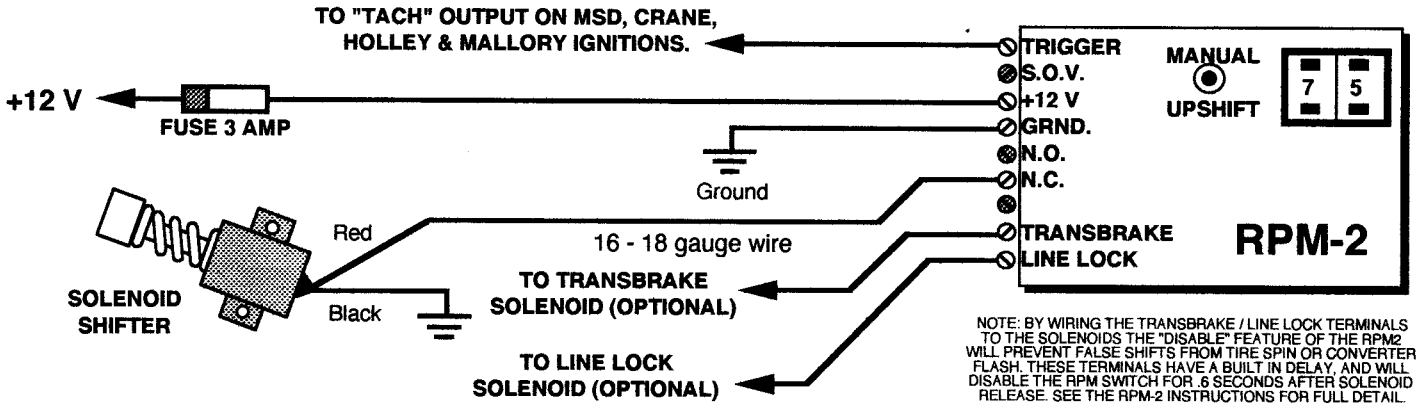


### LIMITED 1 YEAR WARRANTY

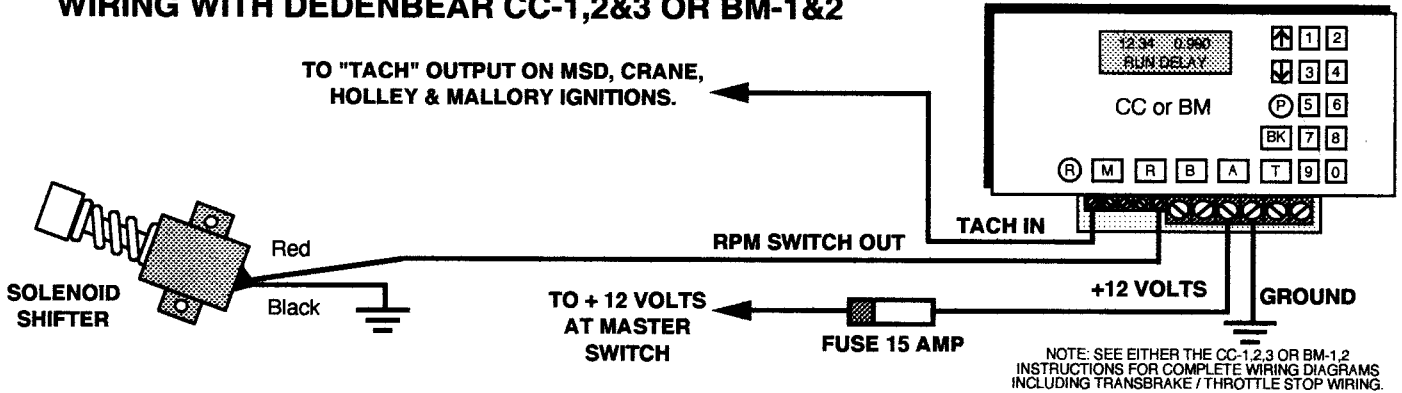
Dedenbear Products components are warranted directly by Dedenbear Products against defective material or workmanship under normal use and service for a period of one (1) year after purchase. Dedenbear Products will repair or replace the defective unit, at Dedenbear Products option, free of charge. This warranty does not cover any damage to the component caused by abuse, mishandling, alteration, accident, electrical current fluctuations, failure to follow installation/operating instructions, maintenance, storage and environmental conditions, or repair attempts made anyone other than Dedenbear Products Authorized Service facility.

DEDENBEAR PRODUCTS SHALL NOT BE LIABLE FOR INJURY, CONSEQUENTIAL, OR OTHER TYPE DAMAGES RESULTING FROM THE USE OF ITS PRODUCTS, OTHER THAN THE LIABILITY STATED ABOVE. This warranty is in lieu of all other warranties of merchantability or fitness of use. This warranty gives you specific legal rights, and you may also have other rights which vary from state to state.

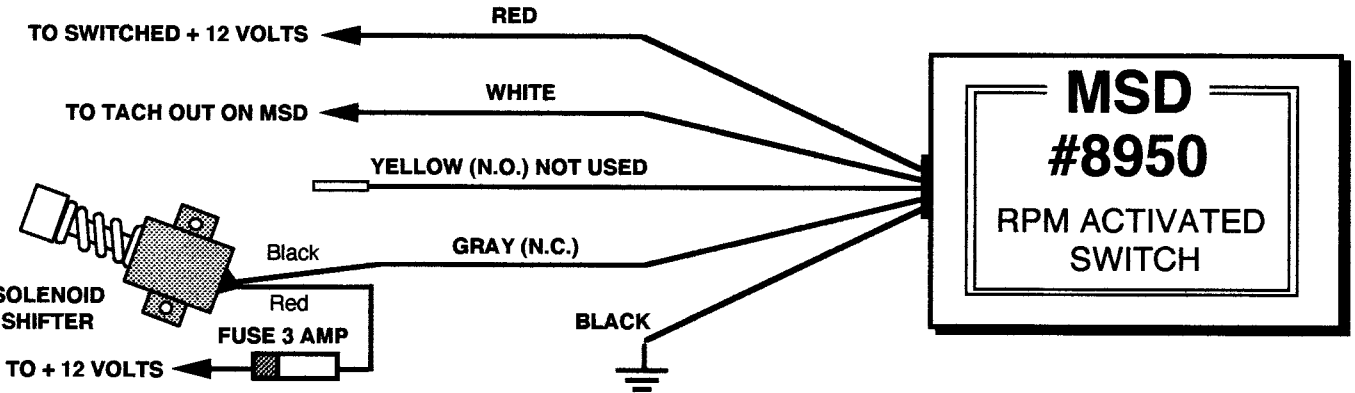
## WIRING WITH DEDENBEAR RPM-2



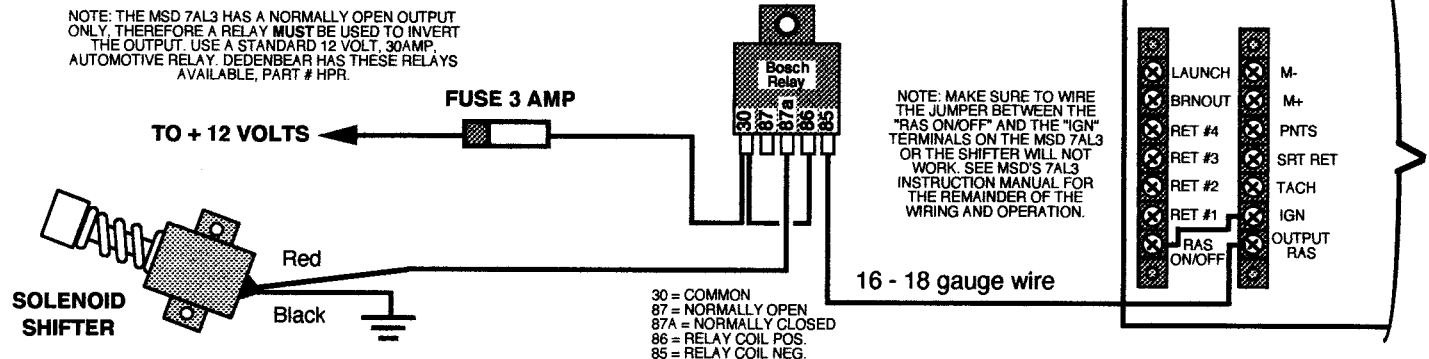
## WIRING WITH DEDENBEAR CC-1,2&3 OR BM-1&2



## WIRING WITH MSD RPM SWITCH #8950



## WIRING WITH MSD 7AL3 IGNITION



NOTE: IF YOUR DIAGRAM IS NOT SHOWN, CALL (925) 935-3025 FOR TECHNICAL HELP