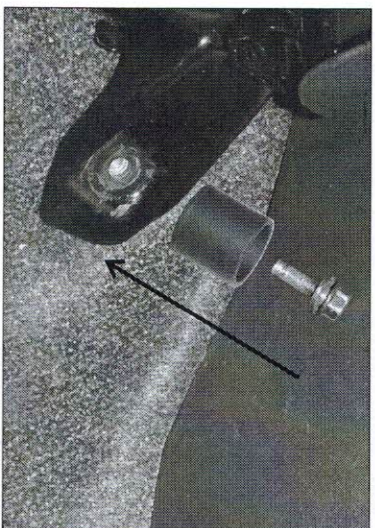
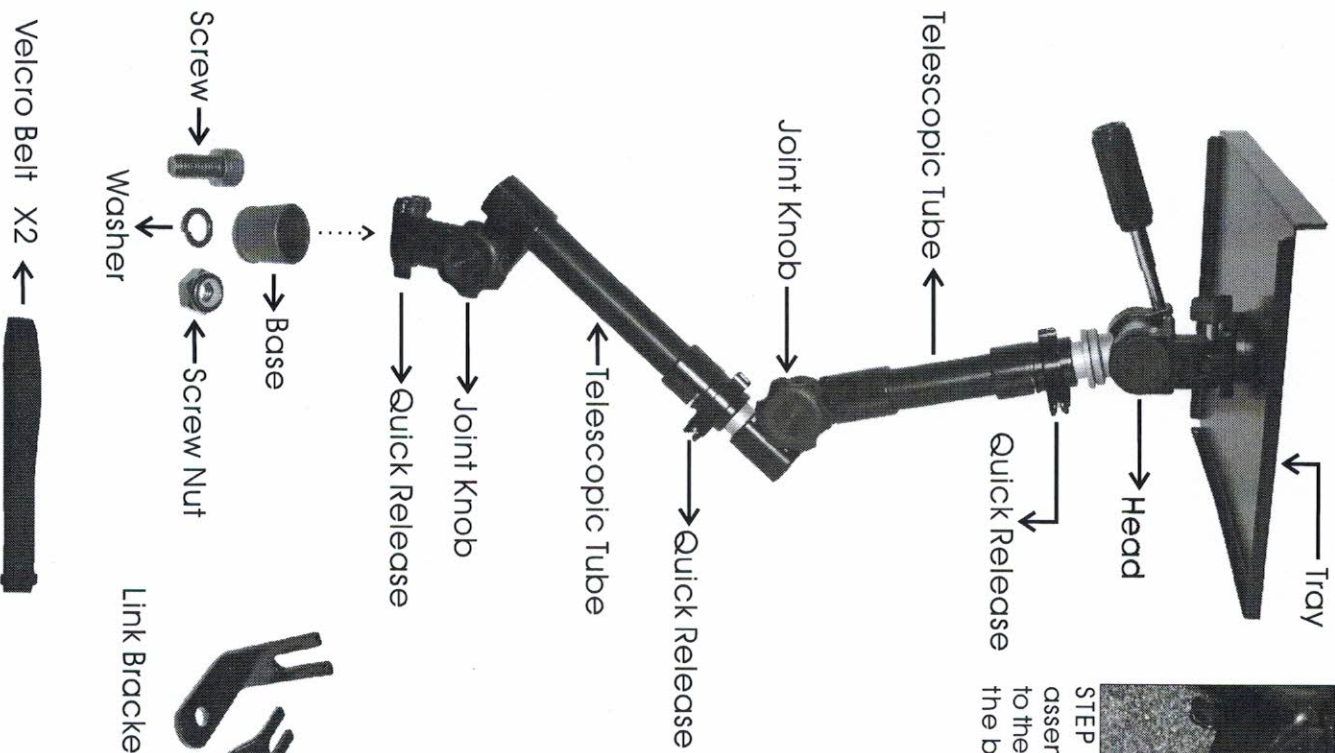
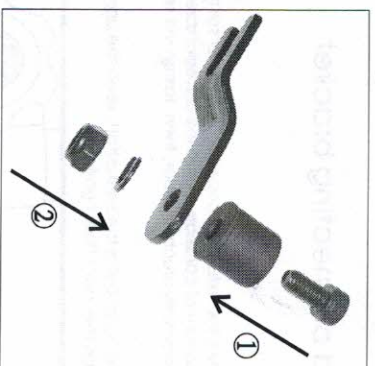


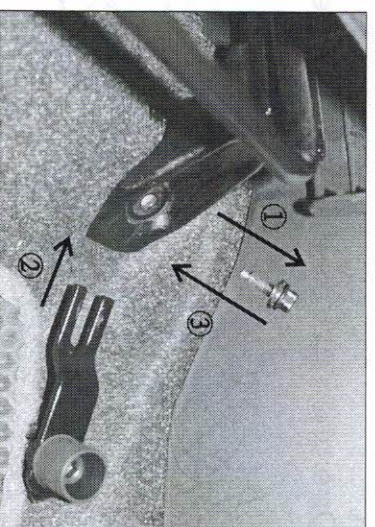
# INSTALL STEPS



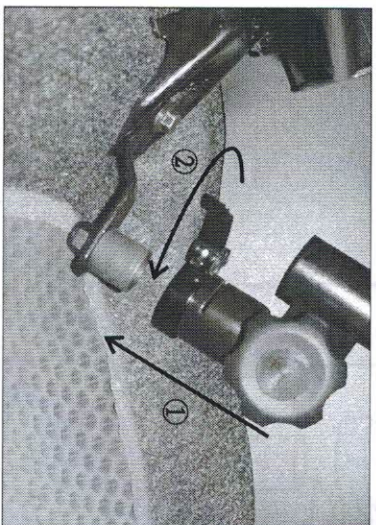
STEP 1 : Loosen the bolt of the seat, and assemble with the base, then screw back to the seat. If your seat is unable to assemble the base, please refer to step A and B.



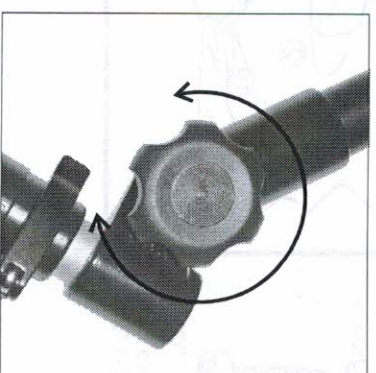
STEP A: Choose suitable link bracket, assemble with screw base, washer and screw nut tightly.



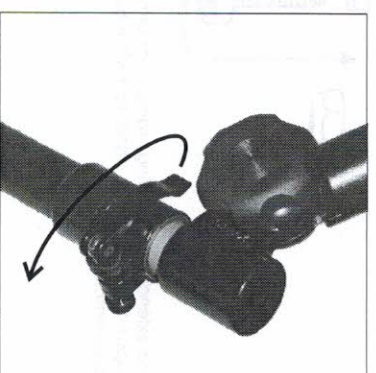
STEP B: Loosen the bolt of seat, and screw the link bracket tightly.



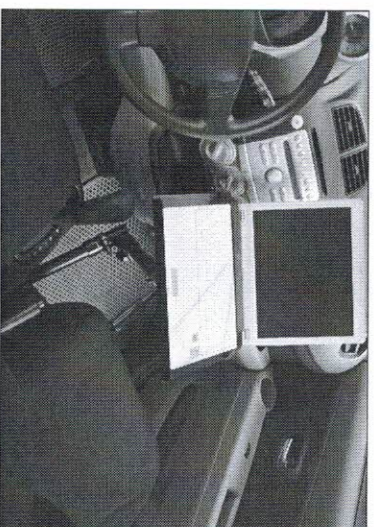
STEP 2 : Put the stand on the base and push the quick release tightly. (To remove the stand, loosen the quick-release's screw to avoid the inner diameter being shrunken.)



STEP 3 : Loosen and fasten the joint knob can adjust the height and angle of the stand.



STEP 4 : Push the quick release can adjust the length of the stand and rotate the inner tube.



STEP 5 : After being adjusted to a suitable position, put the laptop on the tray and fasten it by velcro belt tightly.

## CAUTION

- \*Please surely fasten all the screws to the tightest when use the stand.
- \*Not for driver use while driving.
- \*Do not put the stand too high to disturb the air bag.

Max load: when moving 5KG  
when immobility 10KG