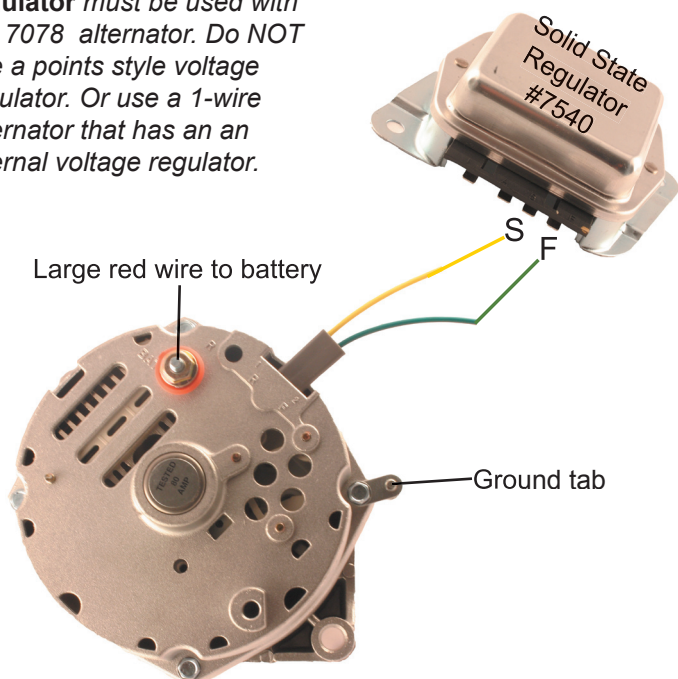




CUSTOM ALTERNATORS FOR FORDS

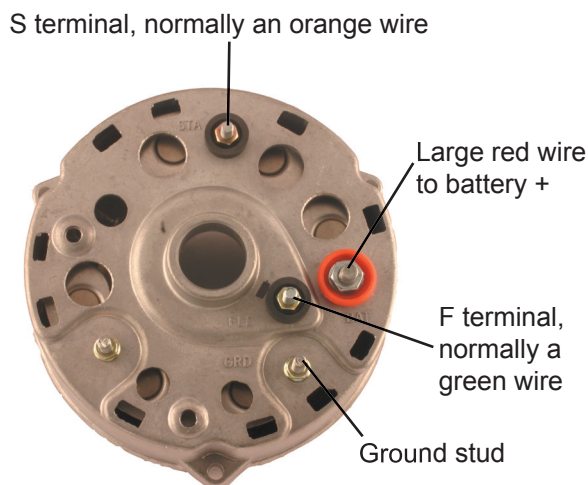
IMPORTANT!

A solid state voltage regulator must be used with the 7078 alternator. Do NOT use a points style voltage regulator. Or use a 1-wire alternator that has an internal voltage regulator.



Custom Alternator #7078

Original Ford 1G Alternator



The #7078 alternator is a direct replacement for the Ford OE 1G small case alternator that uses an external **solid state** voltage regulator. It features a Ford style front case and a GM style rear case, permitting the use of heavier duty copper coils, spike resistant diodes and improved electronic circuitry.

To correctly install this alternator, follow these instructions.

1. Disconnect the positive battery cable.
2. Remove the "S" and "F" wires from the original alternator, along with the large red cable and ground cable if so equipped. Be sure to note wire color coding.
3. Remove the old alternator and install the new alternator. Tension the belt to factory specifications.
4. Cut off the "F" eyelet from the original wiring harness going to the alternator and using the included butt-splice connector, crimp it to the green wire on the provided pigtail plug.
5. Cut off the "S" eyelet from the original wiring harness going to the alternator and using the included butt-splice connector, crimp it to the yellow wire on the provided pigtail plug. Note that not every Ford OE application utilized an "S" terminal. In that case, just tape the end of the yellow wire as it will not be used.
6. Plug the pigtail connector into the new alternator.
7. Reinstall the large red battery cable to the battery terminal on the alternator.
8. Reconnect the ground wire from the original wiring harness to the ground tab screw. If there was no ground wire attached to the original alternator, it is strongly suggested that you connect a 10 gauge wire from the new alternator ground tab to the engine block, frame or negative battery terminal.
9. Reconnect the positive battery cable.

For best results, use a **Tuff Stuff solid state voltage regulator #7540**.

Tuff Stuff also offers 1-wire alternators that eliminate the external voltage regulator and all of the extra wiring. It makes for a nice, clean and simple installation. For complete product information, refer to the Tuff Stuff catalog or visit www.tuffstuffperformance.com.