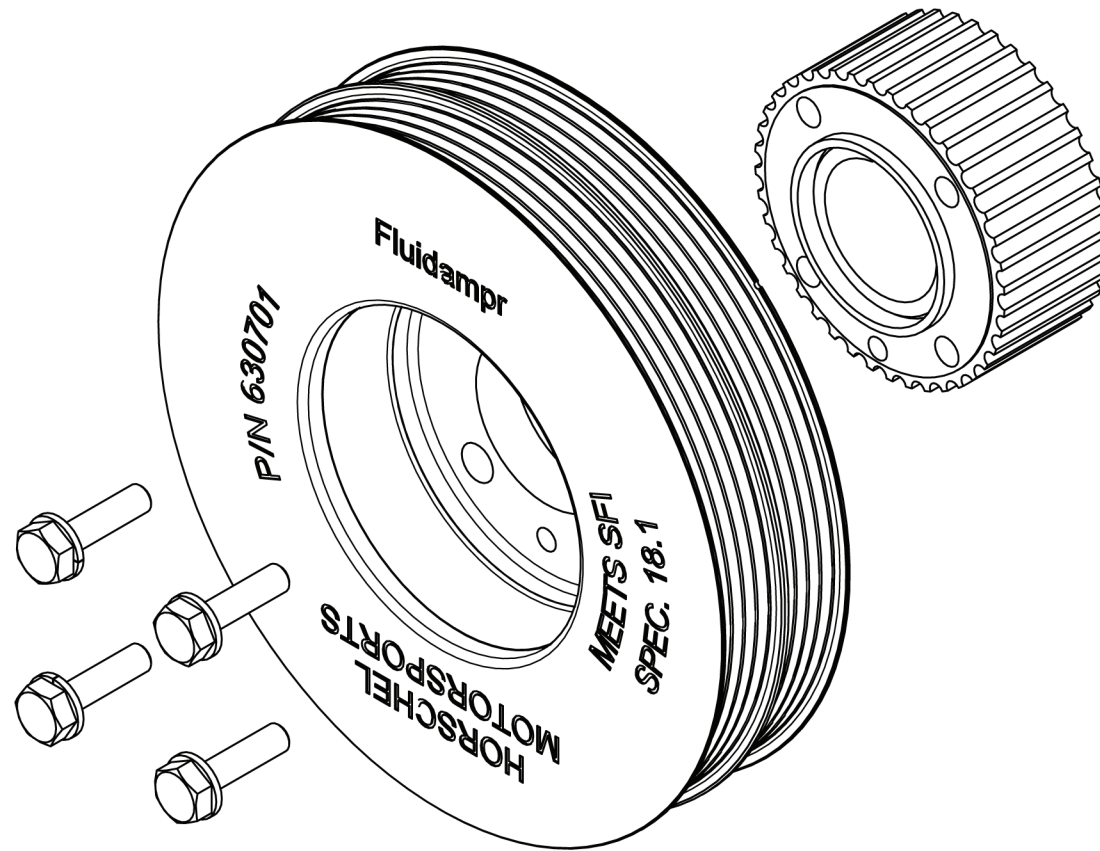


## INSTALLATION of P/N 610701 & 630701:

Bolt Fluidampr to existing gear, torque the (4) M8x1.25 bolts to 240 in/lbs. (20 ft/lbs.) at assembly



Refer to Step 2 - Balancing, Internally Balanced Engines Section

Please contact Customer Tech at Horschel Motorsports-Fluidampr 716-592-1000  
([www.fluidampr.com](http://www.fluidampr.com)) for any comments, suggestions, or questions.

P/N 4NFF04