

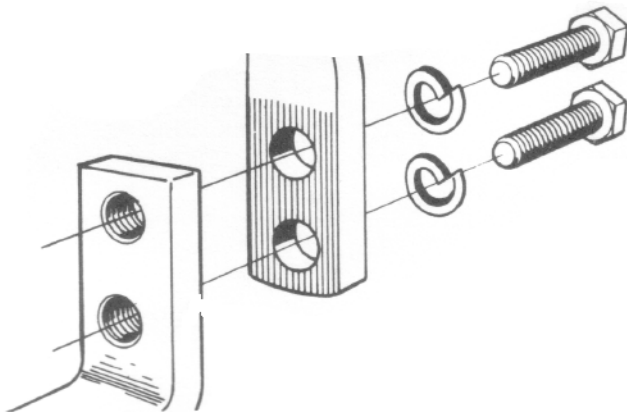


## INSTRUCTIONS

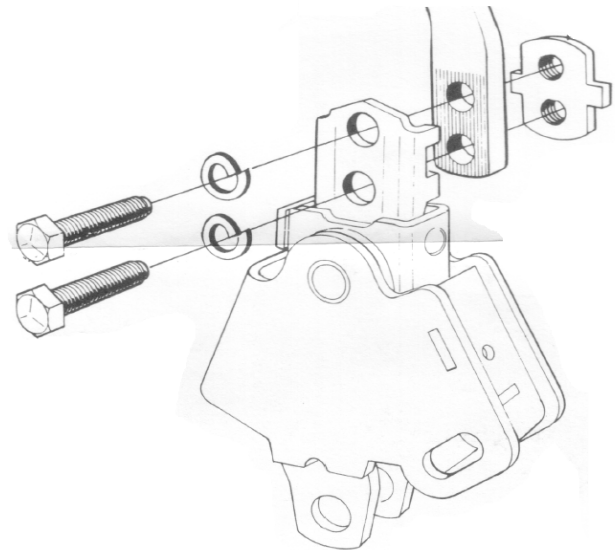
©2013, 2010 by Hurst Performance

### IMPORTANT

The bolts that fasten the stick to the shifter and the bolts that are used as gear stops are SAE grade 5 bolts. **NOTE:** If bolts need to be replaced, make sure bolts are SAE grade 5. The stiffener plate (Pt. 195 0053) is used with all shifters except those which have tapped holes. Both methods are shown below.



Stick bottom with tapped holes do not require stiffener plate.



Standard stick configuration require the use of stiffener plate (Pt. 195 0053).

### Serration of stick mesh with serrations in shifter mount

