

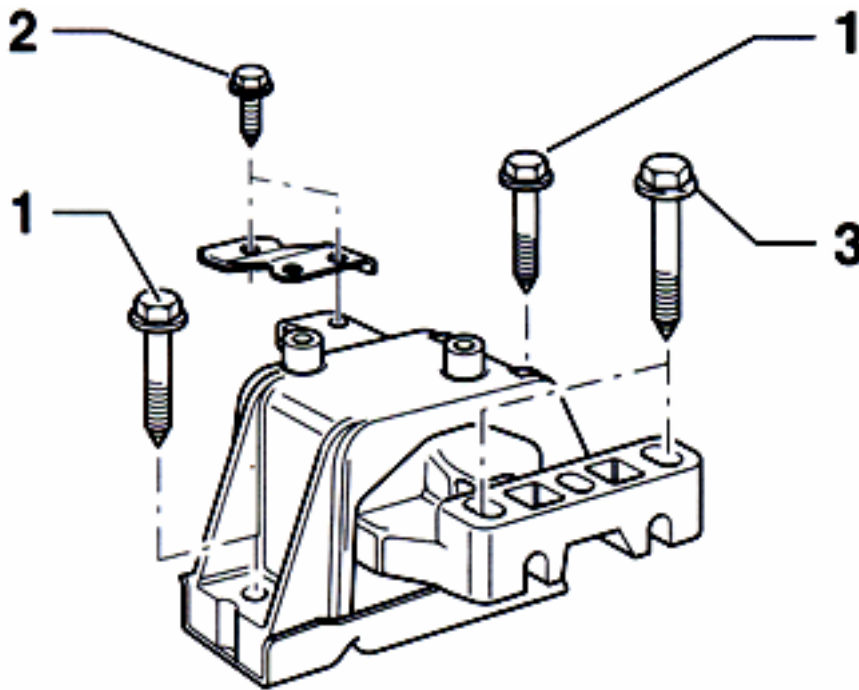
Fits following cars:  
 Golf5 / Jetta5 / Audi TT2/ A3 /  
 Passat  
 2.0T / 2.5 / R32

**VW / AUDI type 5 chassis Engine Side Mount (US-Passenger side).  
 4 / 5 / 6 CYLINDER MODELS**

**Fitting notes:**

- 1) **WARNING: DO NOT LOOSEN OFF ENGINE MOUNTING BOLTS IF ENGINE IS NOT SUPPORTED FROM BELOW.**
- 2) **IF YOU ARE INSTALLING BOTH SIDE MOUNTS: ONLY INSTALL ONE SIDE MOUNT AT A TIME. THIS PREVENTS MISALIGNMENT OF THE ENGINE IN THE LEFT-TO-RIGHT AXIS.**
- 3) Support engine from below. Loosen off and remove the Engine side mount. Note: the black sheet metal brace is re-used together with its bolts.
- 4) Fit the new VF mount exactly in place of the original mount. All holes should line up and using new bolts secure mount and torque as below.
- 5) The VF mount is provided with a black brace: secure this to the underside of the factory brace which is mounted to the body of the car. The two braces can be bolted together by re-using the original 8mm bolt and 6mm stud which should also be used to secure the power steering reservoir.
- 6) Check torque settings after 200 miles. **IF IN DOUBT CONSULT WORKSHOP MANUAL / VF-TECHNICAL. DO NOT INSTALL THIS PART WITHOUT USING A TORQUE WRENCH.**

Bolt 1 - Mount to Body bolt 40Nm (30 ft-lbs)  
 Bolt 2 - Mount bracket to body bolt 25Nm (18 ft-lbs)  
 Bolt 3 - Mount to engine bracket bolt 60 Nm (44 ft-lbs)  
**BOLT IN CENTER OF VF-MOUNT TO BE TORQUED TO 40Nm (30 ft-lbs)**



**Warranty:** 12 months or 12,000 miles whichever occurs sooner on defective VF parts only. No liability is accepted for consequential damage/ cost, misused or misfitted parts. For off-road use only. If in doubt do not fit part and consult retailer.

	MANF BY	<b>Zurich Engineering, Inc.</b>
	12 JUL 06	
TOLERANCE		<a href="http://www.vf-engineering.com">www.vf-engineering.com</a>
DRAWN	MFG ENG	<b>VF PART #VFA06-02 /03</b>

THE PRODUCT AND INFORMATION SUPPLIED IS THE SOLE PROPERTY OF ZURICH ENGINEERING, INC. ANY REPRODUCTION IN PART OR WHOLE WITHOUT THE WRITTEN PERMISSION OF ZURICH ENGINEERING, INC. IS PROHIBITED.