

INSTALLATION INSTRUCTIONS

A type MAIN BAR

90001, 91001, 91501, 92001, 93001, 94001, 95001, 96001, 97001 y 98001

PS/B/C

Parts List:

- a) 1- LEG Driver side
- b) 1- LEG Passenger side
- c) 1- Cross Bar
- d) 2- Mounting plate
- e) 2- Tube spacer
- (1) Hardware kit includes:**
- f) 8- Plastic flat washer
- g) 2- Round plastic gasket
- h) 2- Rectangle plastic gasket

- i) 4- Plastic cover
- 4- 3/8 x 5" Carriage bolt
- 8- 3/8 x 1 1/2" Flat washer
- 8- 3/8" Nut
- 8- 3/8 x 1 1/2" Carriage bolt
- 2- 3/8 x 1 1/2" Flat head bolt
- 2- 3/8x5 1/2x2" Hex head bolt
- 2- 3/8" Flat washer
- 2- Whrite plastic washer

Not Includes:
B type Main bar
Kicker

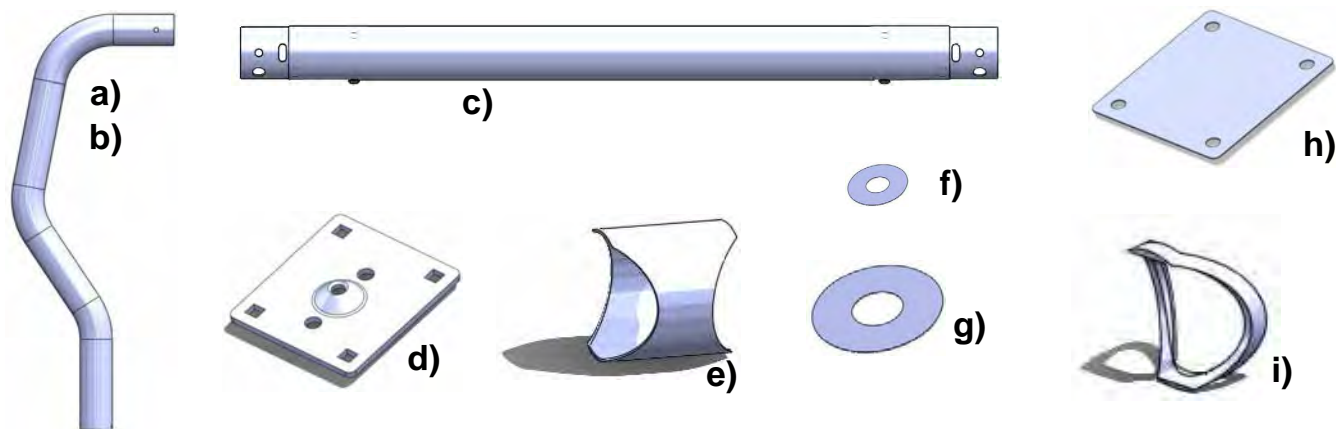
Required tools:

- 9/16" Wrench Hand drill Pencil
- 7/32" Allen wrench 7/16" Bit

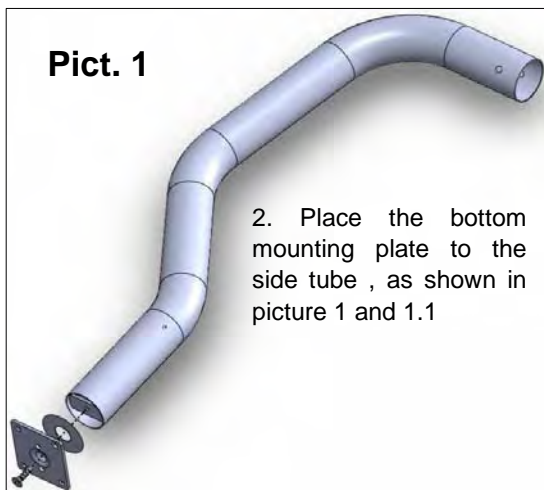
Instructions:

Aprox. Installation time: 50 min.

1. Read carefully and understand instructions before beginning installation. If you can not find any listed part, please stop installation and call to your distributor to get the missing parts, **on the last page mentions Main Bar B and Kicker, these accessories are sold separately.**

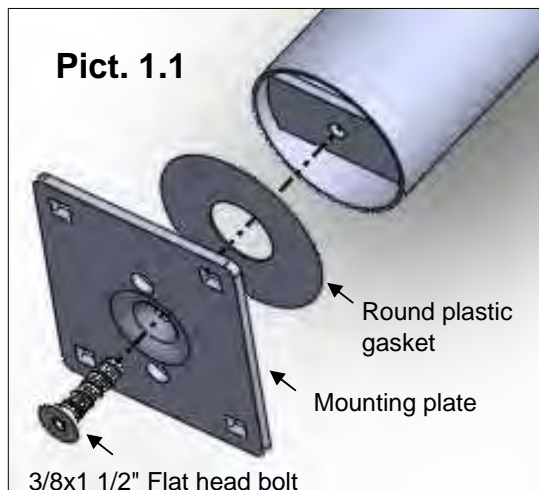


Pict. 1



2. Place the bottom mounting plate to the side tube, as shown in picture 1 and 1.1

Pict. 1.1



Cleaning and care instructions:

Keep your product clean. Do not use abrasive cleaners or polish. We recommend only non-abrasive automotive wax such as pure carnauba to avoid scratches or rust.

Design: _____

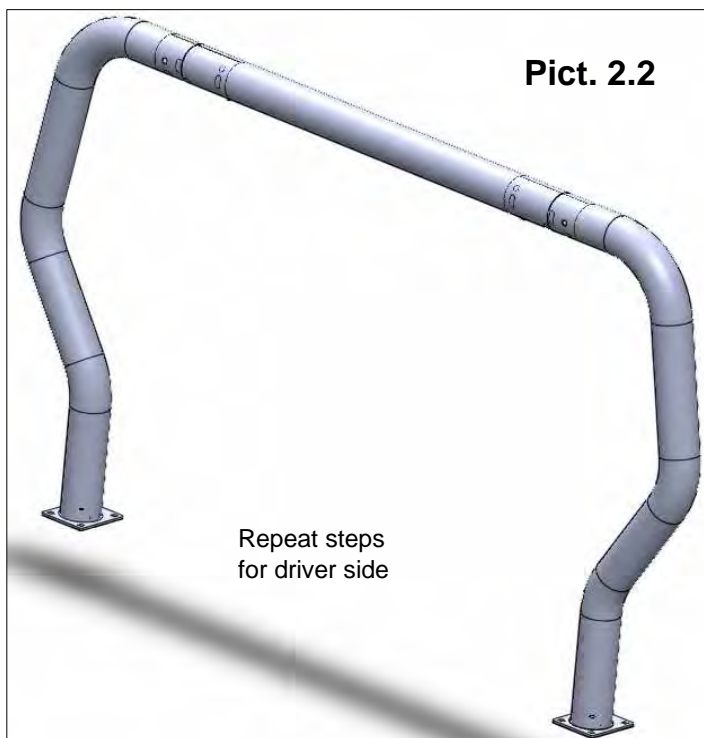
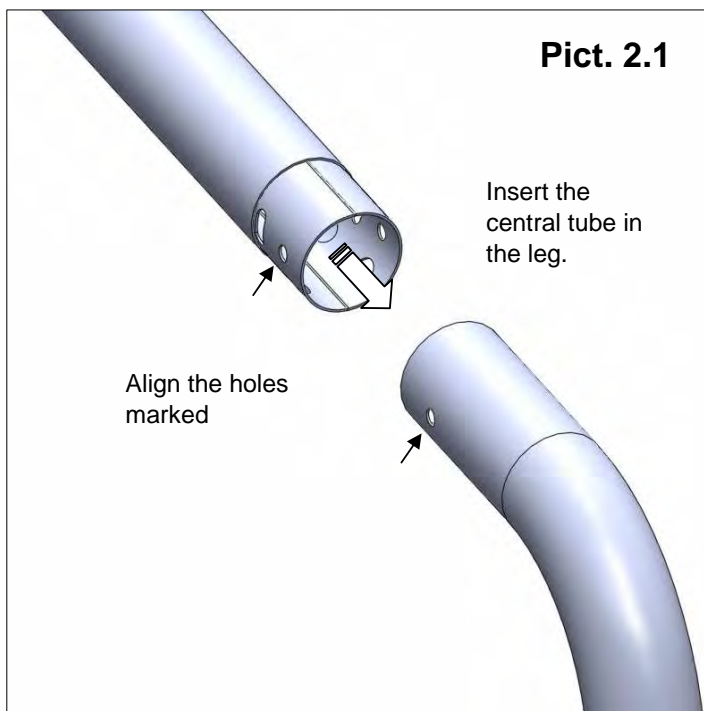
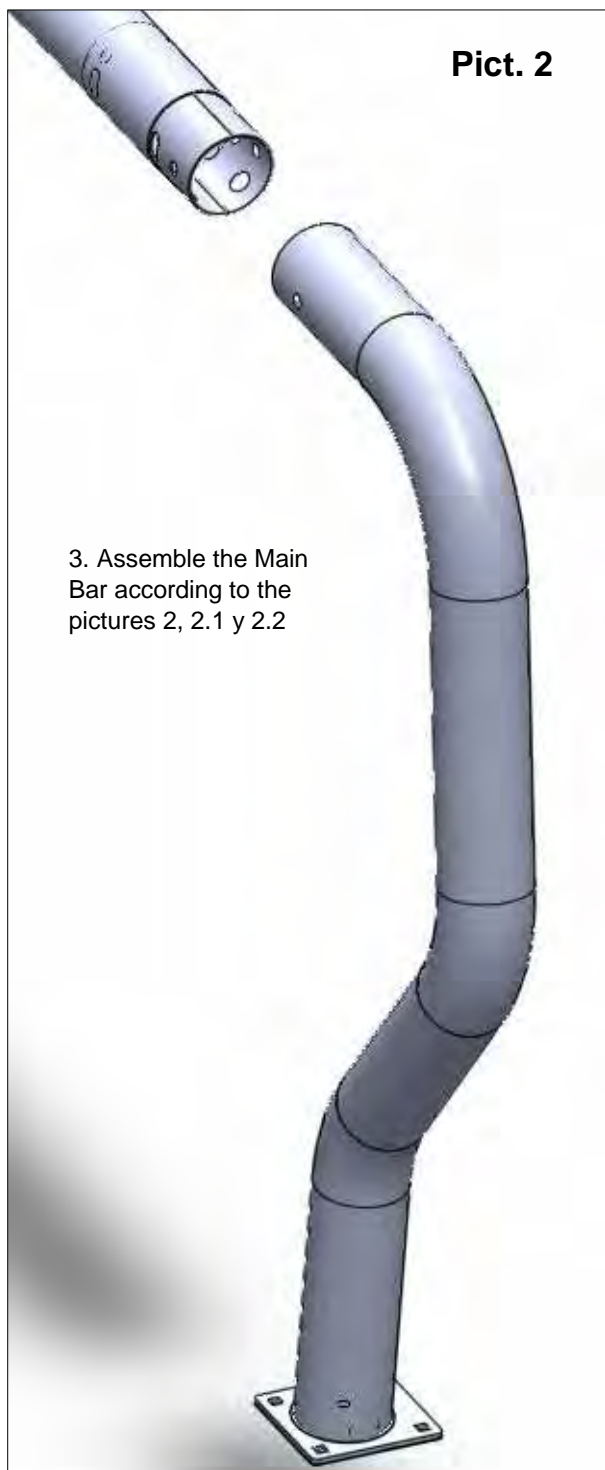
Quality: _____

INSTALLATION INSTRUCTIONS

A type MAIN BAR

90001, 91001, 91501, 92001, 93001, 94001, 95001, 96001, 97001 y 98001

PS/B/C



Cleaning and care instructions:

Keep your product clean. Do not use abrasive cleaners or polish. We recommend only non-abrasive automotive wax such as pure carnauba to avoid scratches or rust.

Design:

Quality:

INSTALLATION INSTRUCTIONS

A type MAIN BAR

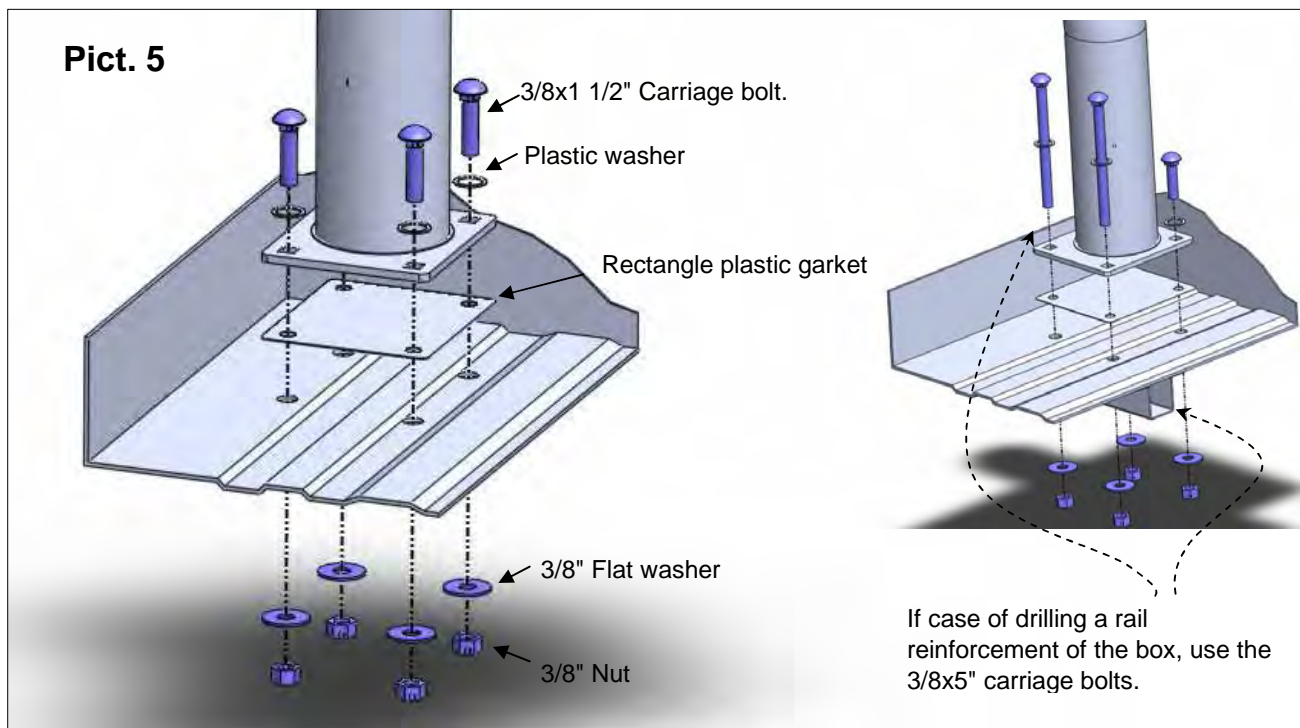
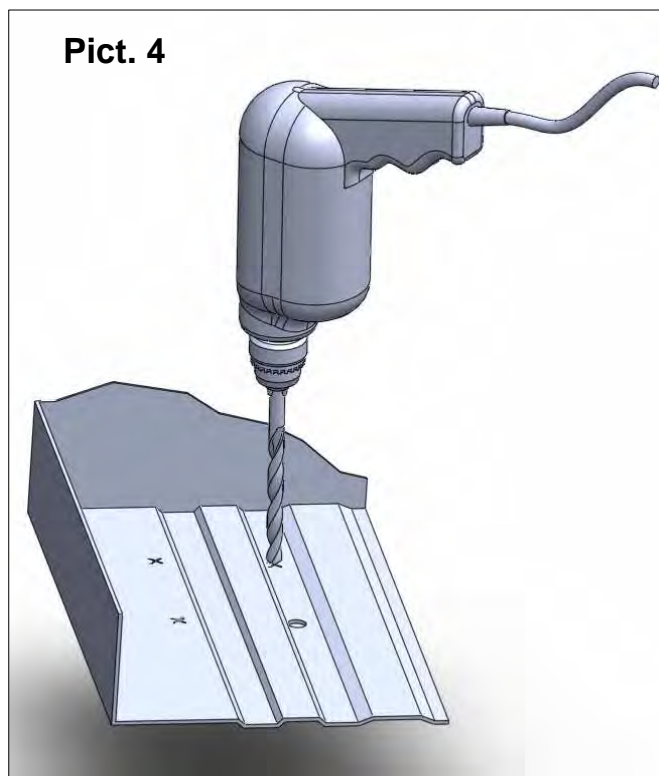
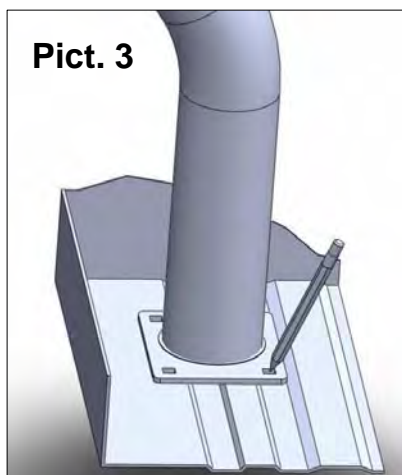
90001, 91001, 91501, 92001, 93001, 94001, 95001, 96001, 97001 y 98001

PS/B/C

3. Place the frame on the floor of the box, with a pencil mark the locations. to set main bar on both sides of the truck pict 3

4. Remove the Main bar and drill 7/16" holes pict 4

5. Relocate the Main bar, and attach it to the floor of the box. Pict 5



Cleaning and care instructions:

Keep your product clean. Do not use abrasive cleaners or polish. We recommend only non-abrasive automotive wax such as pure carnauba to avoid scratches or rust.

Design:

Quality:

INSTALLATION INSTRUCTIONS

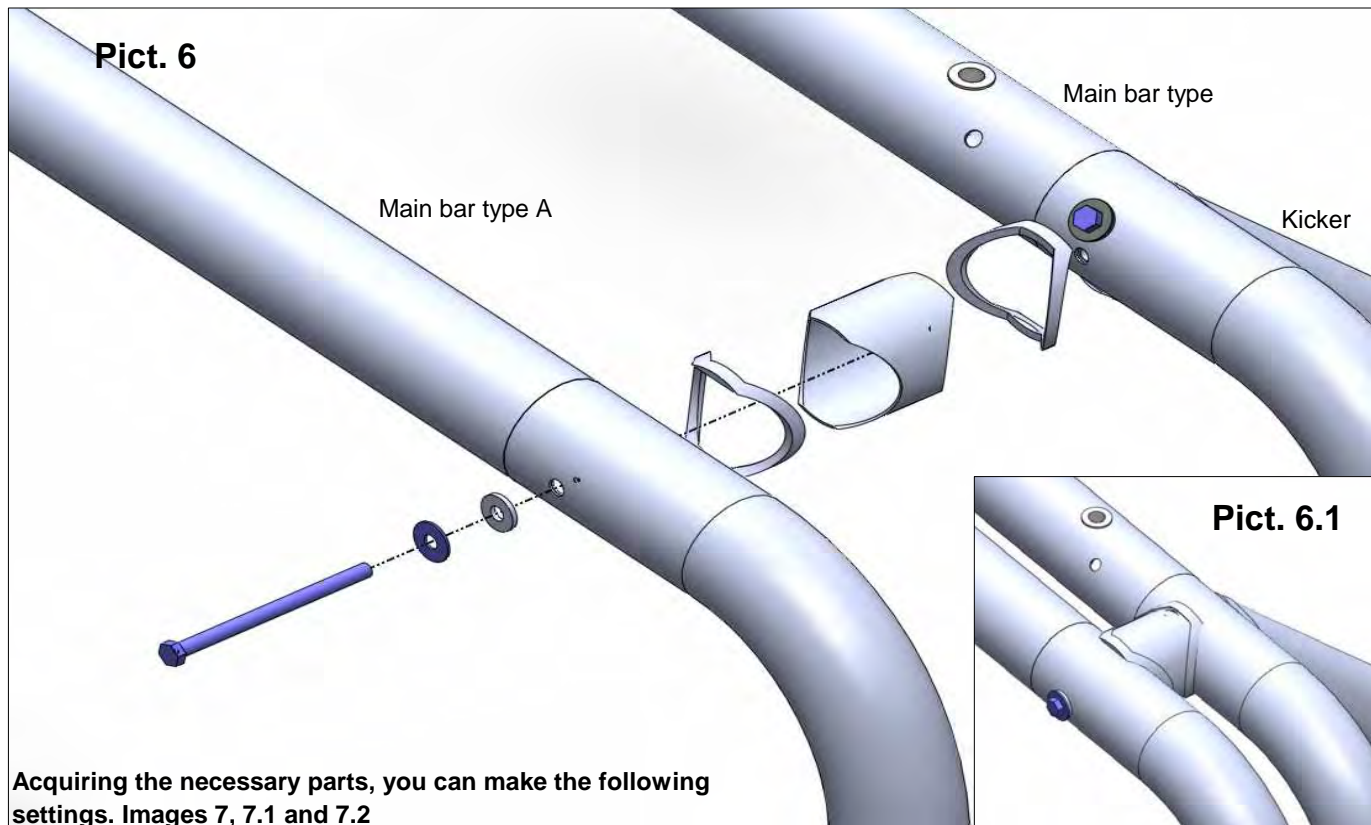
A type MAIN BAR

90001, 91001, 91501, 92001, 93001, 94001, 95001, 96001, 97001 y 98001

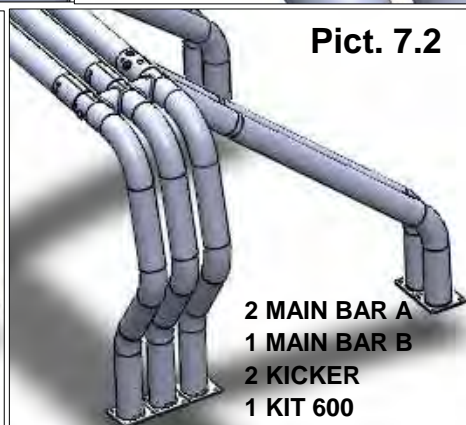
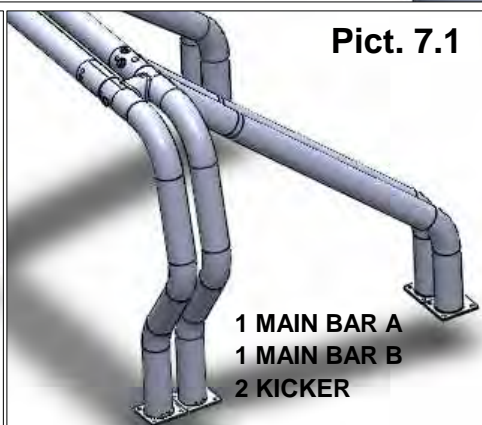
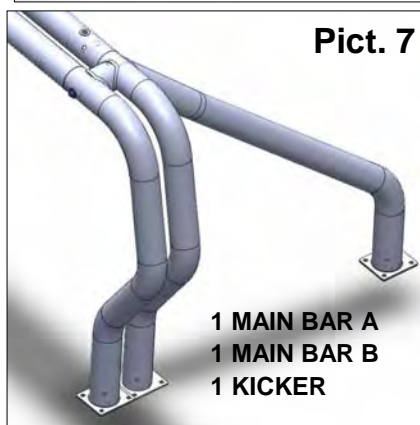
PS/B/C

6. Follow the instructions contained in the B Bar B to assemble, and to keep the armed continue with step 7.

7. 6 and 6.1 The image shows you how to assemble your Bed Bar with a Type A Type B



Acquiring the necessary parts, you can make the following settings. Images 7, 7.1 and 7.2



8. Align Bed Bar, and then tighten all bolts, from bottom to up.

9. Periodically it may need a bolts re-tighten.

10. Fill out the warranty card and place it inside your vehicle's glove box.

Cleaning and care instructions:

Design:

Quality:

Keep your product clean. Do not use abrasive cleaners or polish. We recommend only non-abrasive automotive wax such as pure carnauba to avoid scratches or rust.